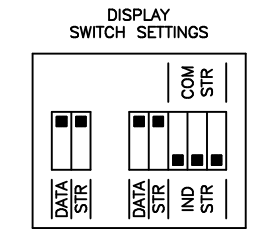
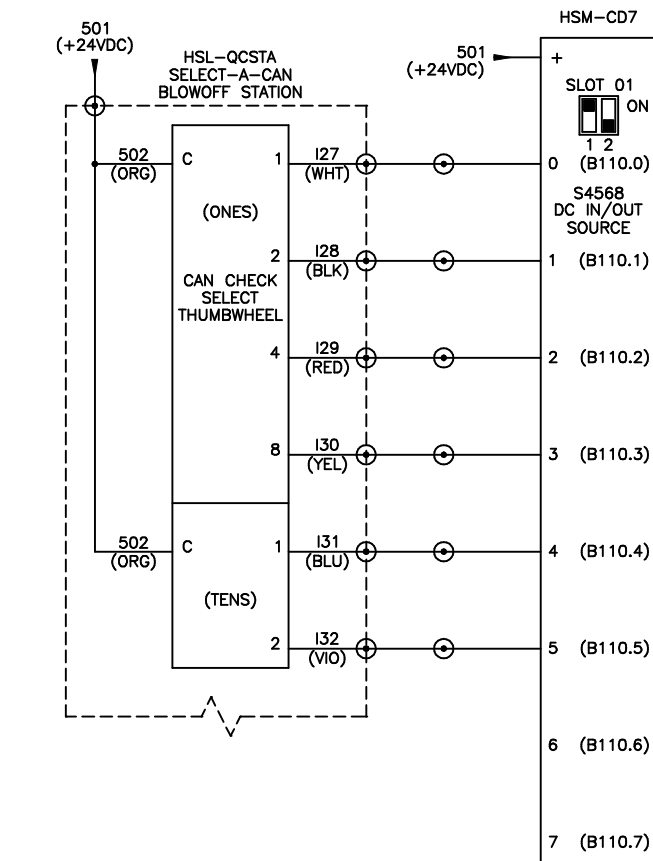
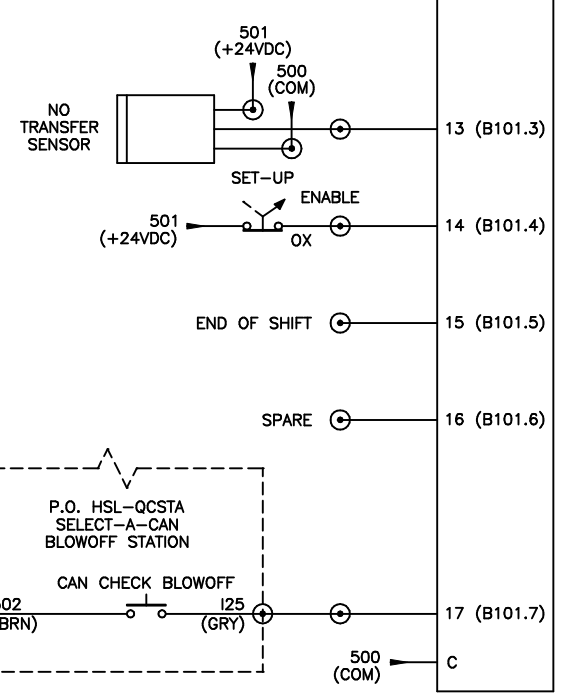
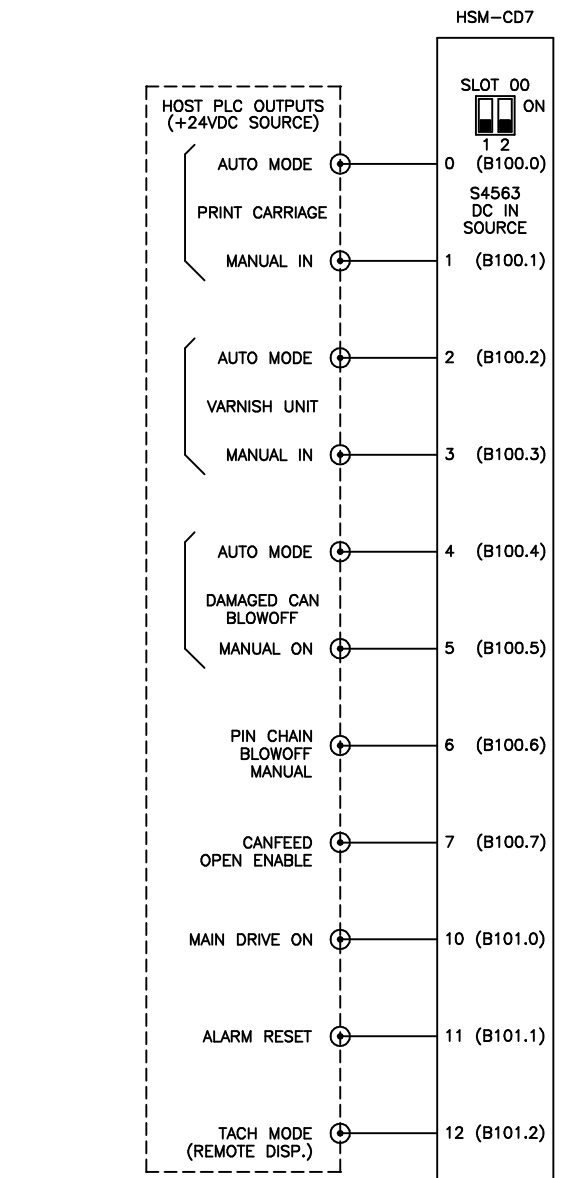
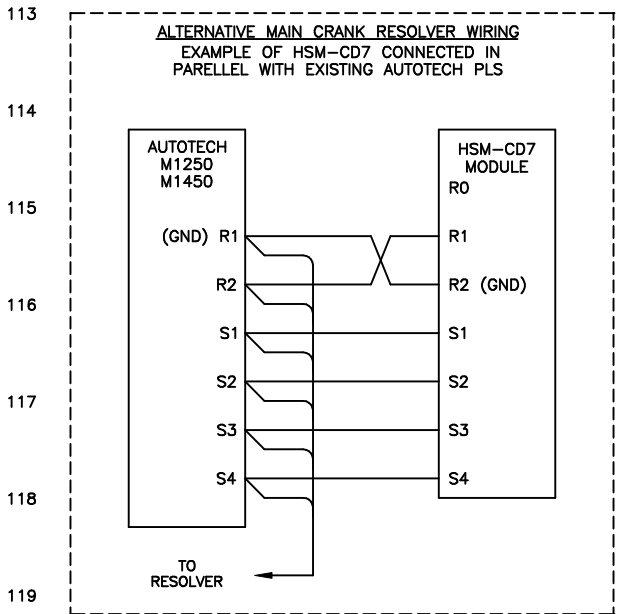


NOTE 1:

(1) FOR SEG RSV34-MS1 RESOLVER, JUMPER R0 TO R1 ON RESOLVER INPUT.

(2) FOR AUTOTECH RESOLVERS, INSTALL 47ohm, 1/2W RESISTOR BETWEEN R0 AND R1 ON RESOLVER INPUT.

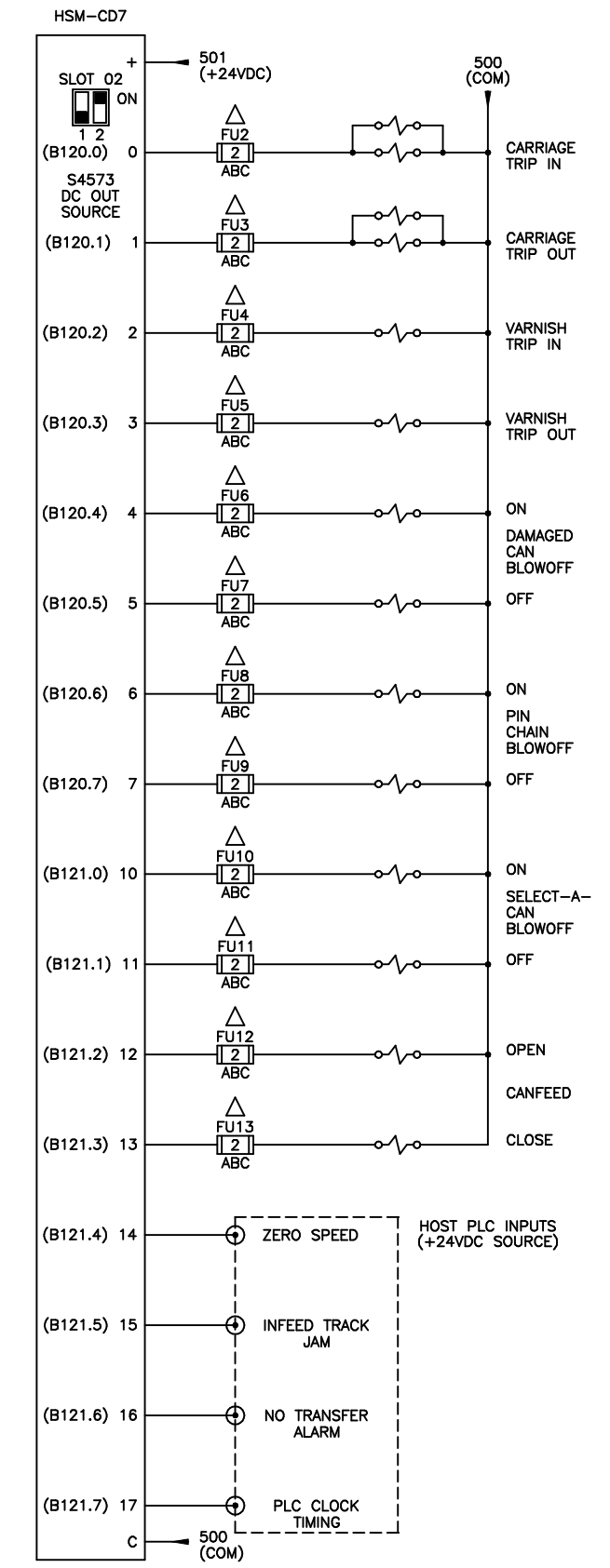
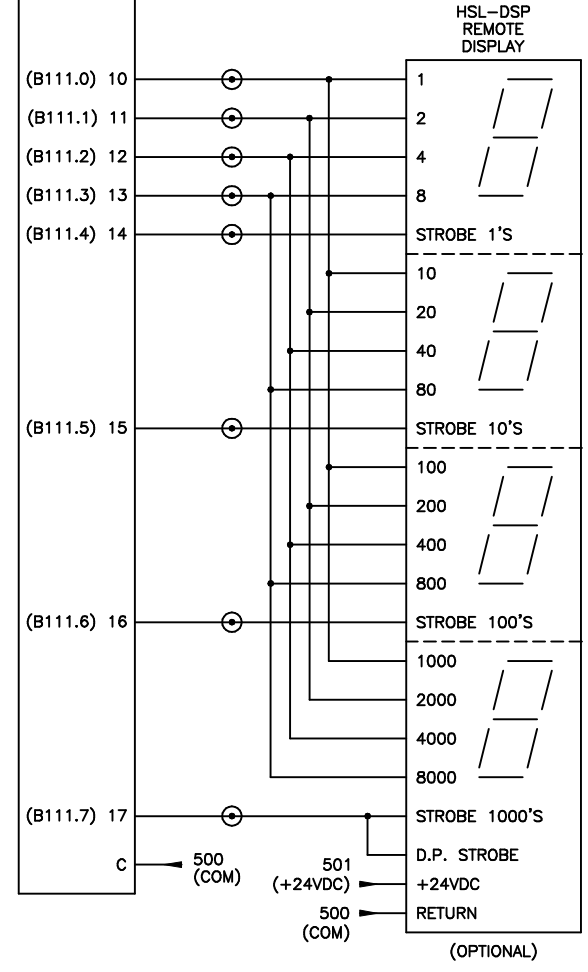


156 NOTES:

1) "1" TRUE LOGIC LEVEL

2) "1" TRUE STROBE LEVEL

3) INDIVIDUAL DIGIT STROBES



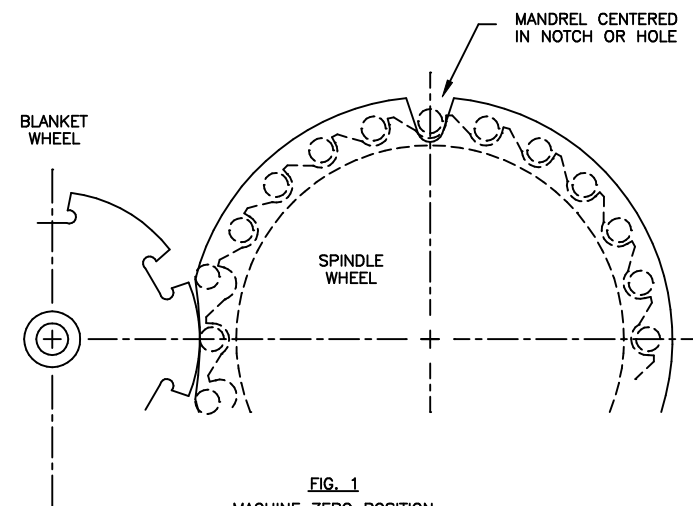


FIG. 1
MACHINE ZERO POSITION
(AS SEEN FROM BACK OF MACHINE)

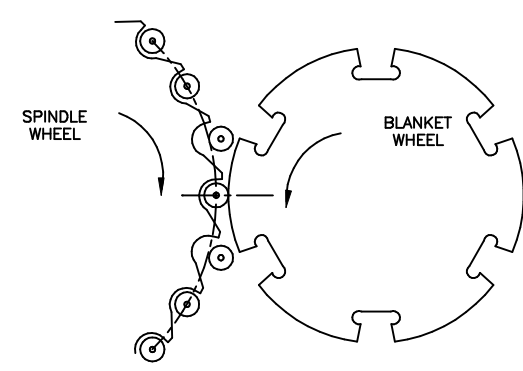


FIG. 3
LOCATION AT WHICH PRINT CARRIAGE TRIP TIMING
(CHANNEL 00) SHOULD JUST TURN ON

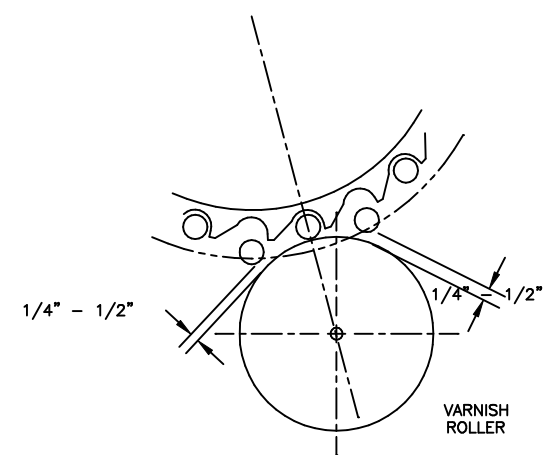


FIG. 4
LOCATION AT WHICH PRINT VARNISH TRIP TIMING
(CHANNEL 01) SHOULD JUST TURN ON

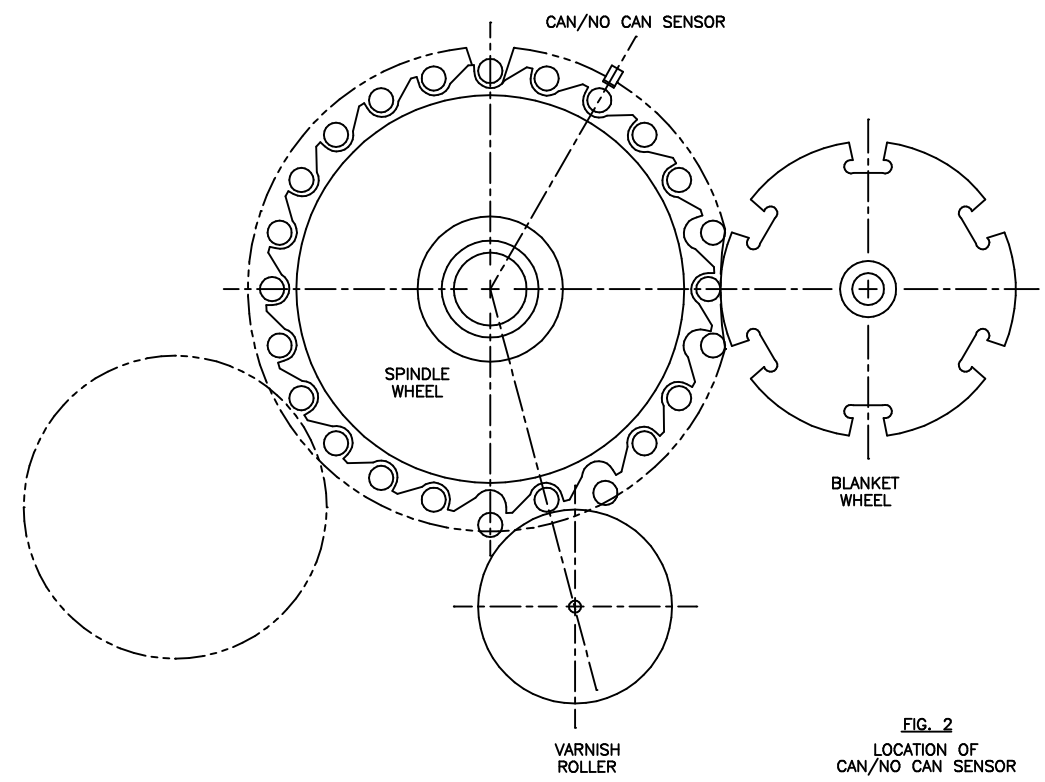


FIG. 2
LOCATION OF
CAN/NO CAN SENSOR

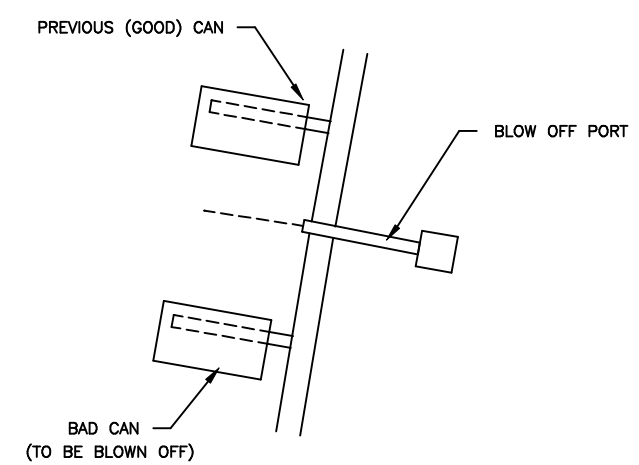
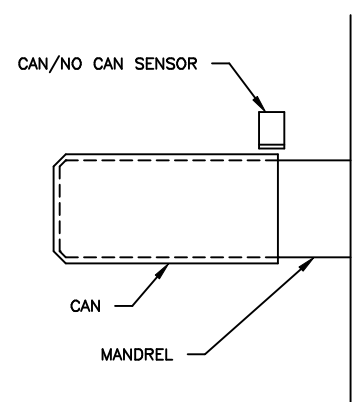
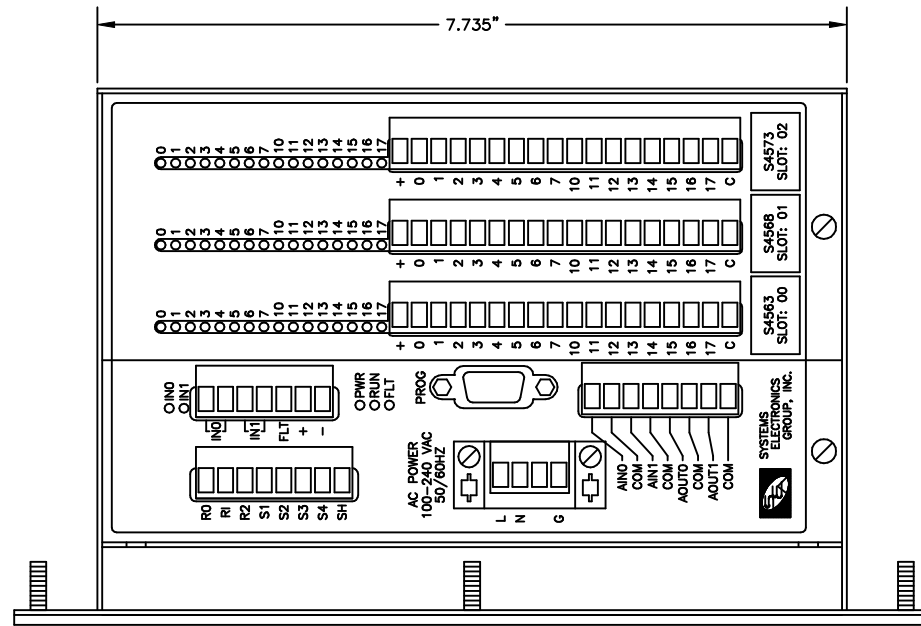
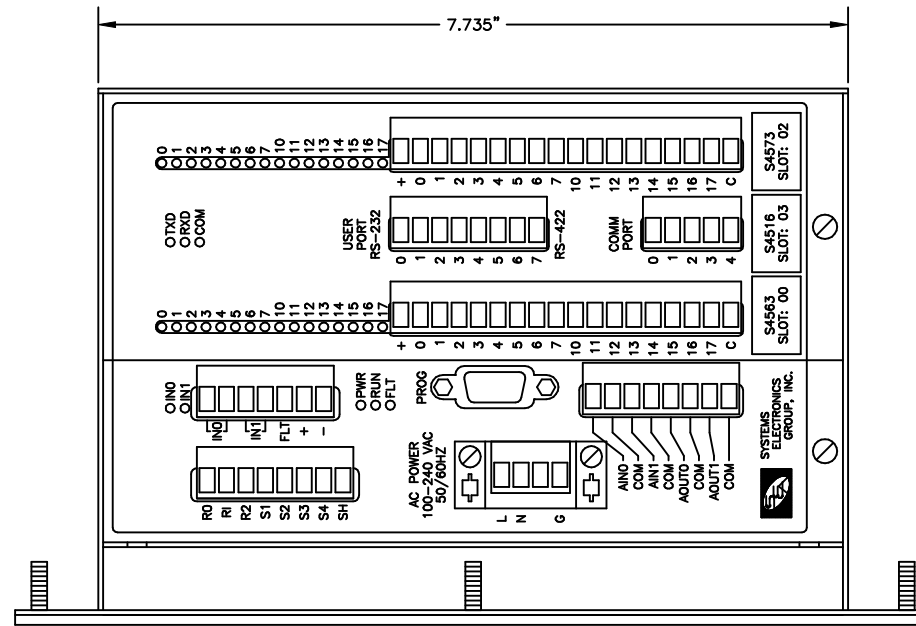


FIG. 5
LOCATION AT WHICH BLOW OFF TIMING
(CHANNEL 05 OR 06) SHOULD JUST TURN ON

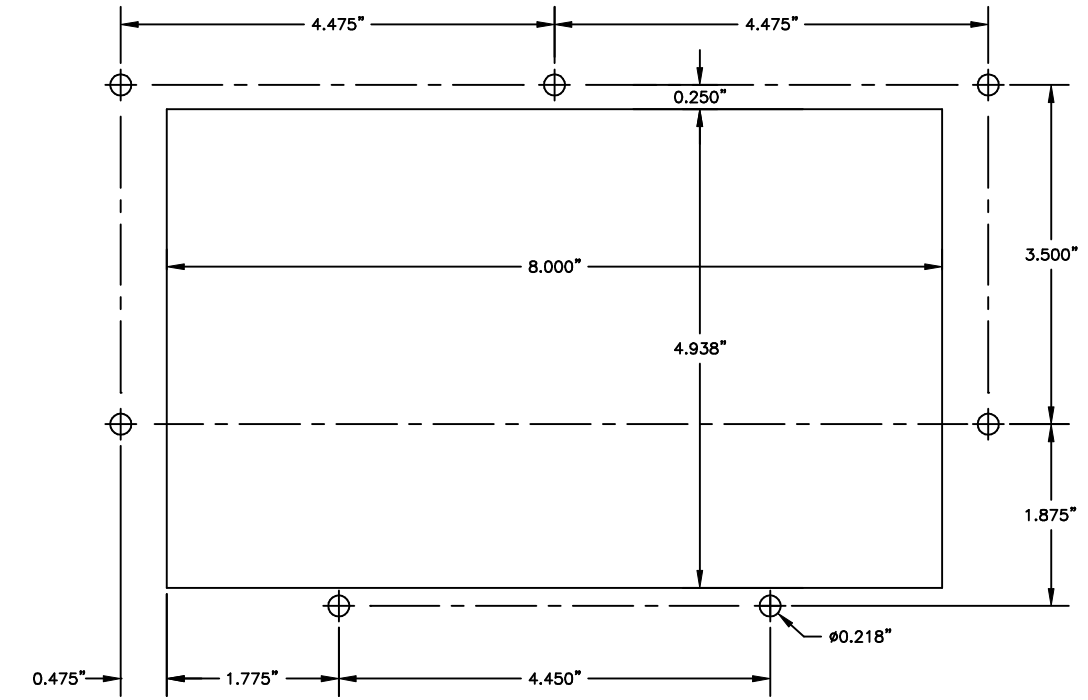
CONFIDENTIAL This document is the property of Systems Engineering Associates, Inc. The information contained herein is confidential and is not to be reproduced, copied or disclosed to others. Drawing to be returned upon request.	SYSTEMS ENGINEERING ASSOCIATES, INC. ARVADA, COLORADO		
	SCALE: DATE: 9-10-97	APPROVED:	DRAWN BY: KDV REVISED: 10-17-03
	RUTHERFORD DECORATOR/BASECOATER TIMING PROCEDURE		WO# PT# HSM-CD7
	SYSTEMS ELECTRONICS GROUP		DRAWING NUMBER 14-4511-10



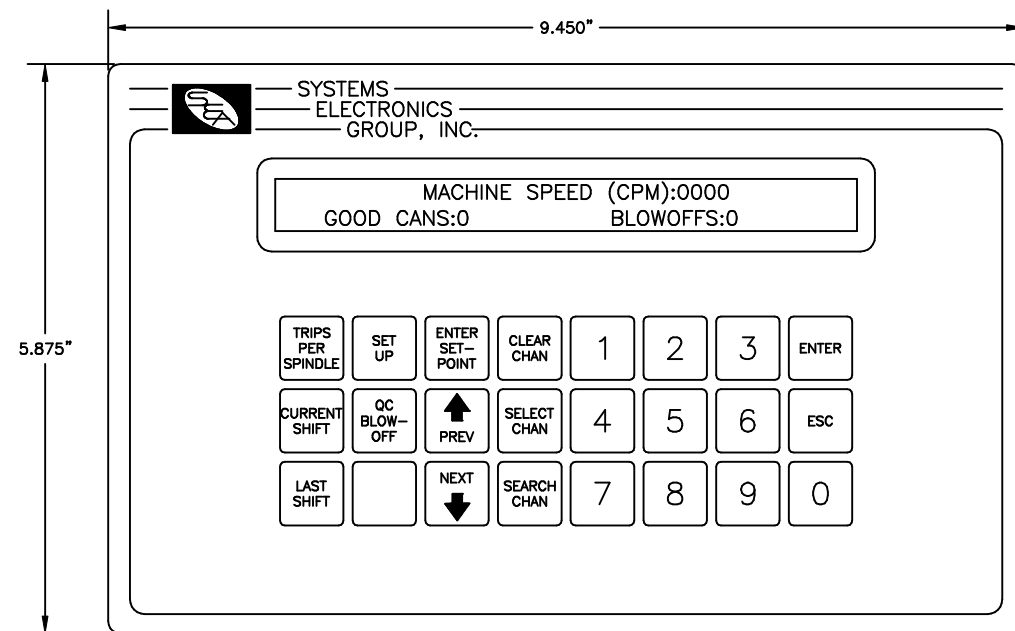
FIELD WIRING CONNECTOR PINOUTS



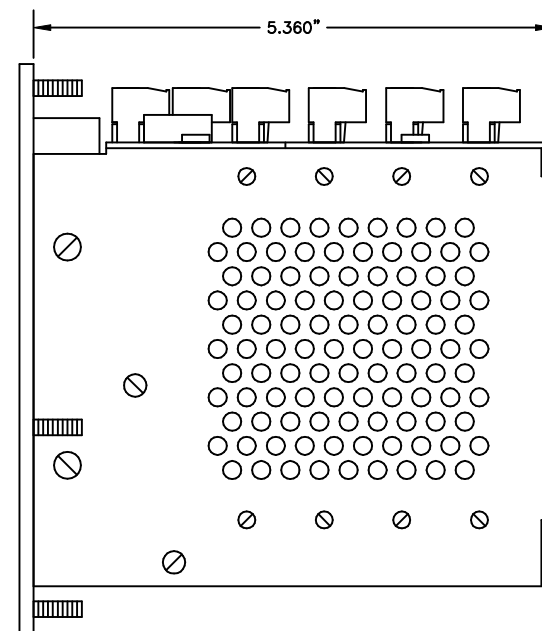
FIELD WIRING CONNECTOR PINOUTS WITH S4516 SERIAL COMMUNICATIONS OPTION



RECOMMENDED PANEL CUT-OUT



HSM-CD7 KEYPAD DISPLAY



<small>CONFIDENTIAL This document is the property of Systems Engineering Associates, Inc. The information contained herein is confidential and is not to be reproduced, copied or disclosed to others. Drawing to be returned upon request.</small>	SYSTEMS ENGINEERING ASSOCIATES, INC. ARVADA, COLORADO		DRAWN BY: KDV
	SCALE: AS NOTED	APPROVED:	REVISED: 10-17-03
	DATE: 2-14-02	RUTHERFORD DECORATOR/BASECOATER MECHANICAL LAYOUT	
	SYSTEMS ELECTRONICS GROUP		WO# PT# HSM-CD7 DRAWING NUMBER 14-4511-15