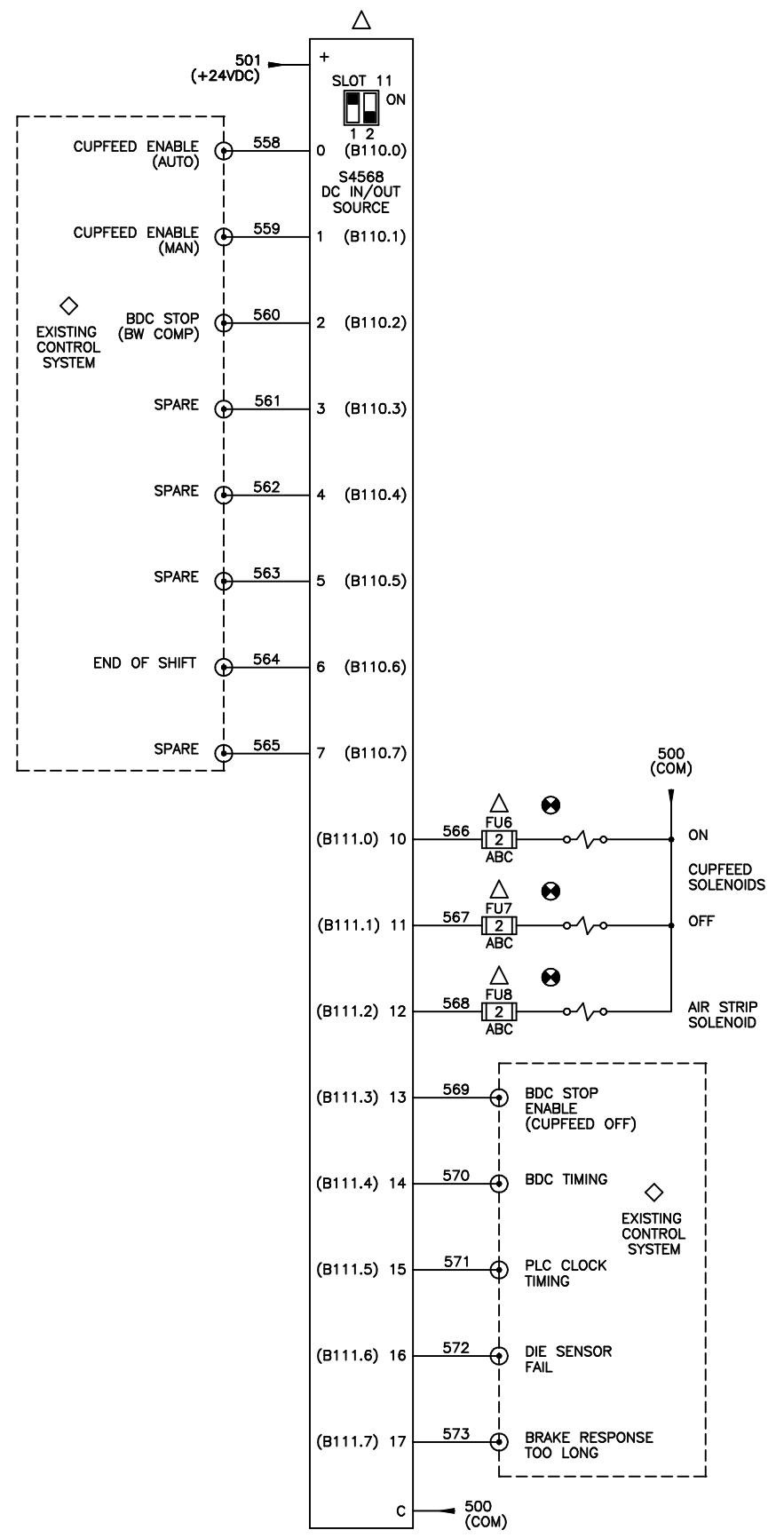


300
301
302
303
304
305
306
307
308
309
310
311
312
313
314
315
316
317
318
319



320
321
322
323
324
325
326
327
328
329
330
331
332
333
334
335
336
337
338
339

CONFIDENTIAL This document is the property of Systems Engineering Assoc., Inc. The information contained herein is confidential and not to be reproduced, copied or disclosed to others. Drawing to be returned upon request.	SYSTEMS ENGINEERING ASSOCIATES, INC. ARVADA, COLORADO		
	SCALE:	APPROVED:	DRAWN BY:
	DATE: 5-16-97		REVISED:
	APMI BODYMAKER CUPFEED RETROFIT HSL-WI6 HIGH SPEED LOGIC OPTION		WO#
	SYSTEMS ELECTRONICS GROUP		PT#
			DRAWING NUMBER 14-4208-10