

SYSTEMS ENGINEERING ASSOCIATES, INC.
ARVADA, COLORADO

SCALE:	APPROVED:	DRAWN BY: MJC
DATE: 8-31-92		REVISED: 1-23-95
REYNOLDS LIGHT TESTER HIGH SPEED LOGIC ELECTRICAL CONTROL SCHEMATIC		
SYSTEMS ELECTRONICS GROUP		DRAWING NUMBER 14-3705-10

CONFIDENTIAL
 This document is the property of Systems Engineering Assoc. Inc. The information contained herein is confidential and not to be reproduced, copied or disclosed to others. Drawing to be returned upon request.

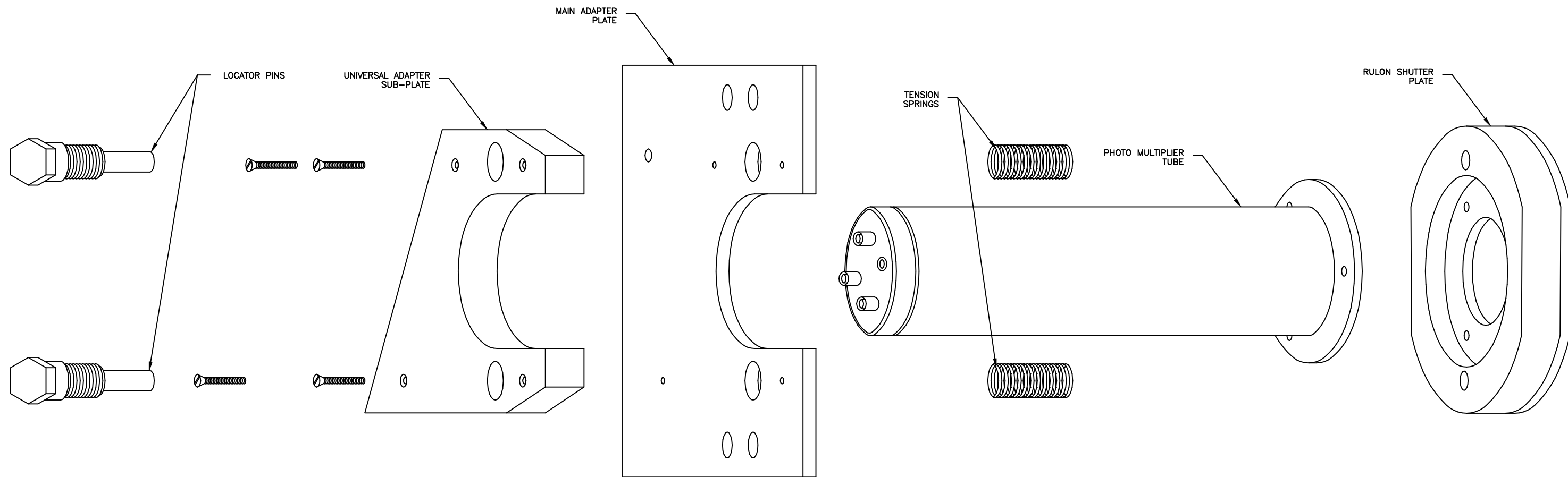


FIGURE 2
(RT-5 MACHINES)

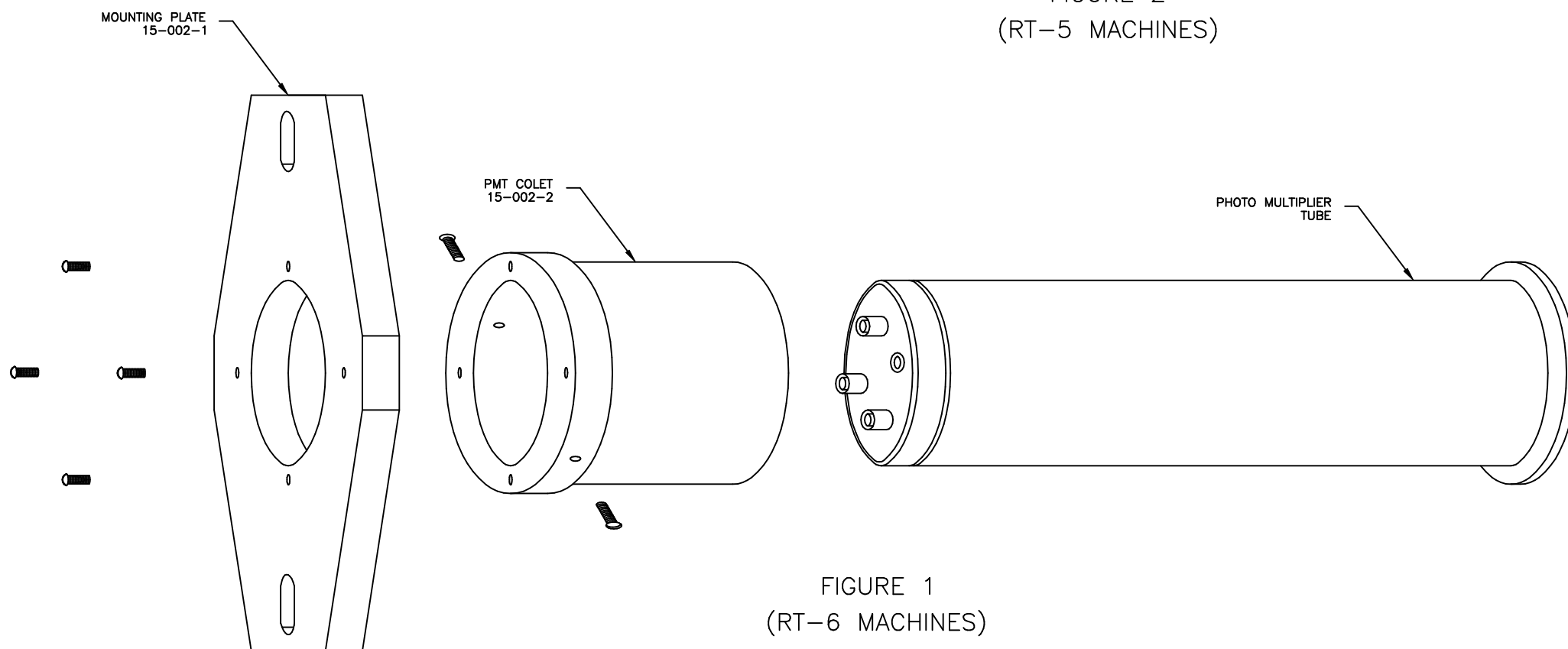
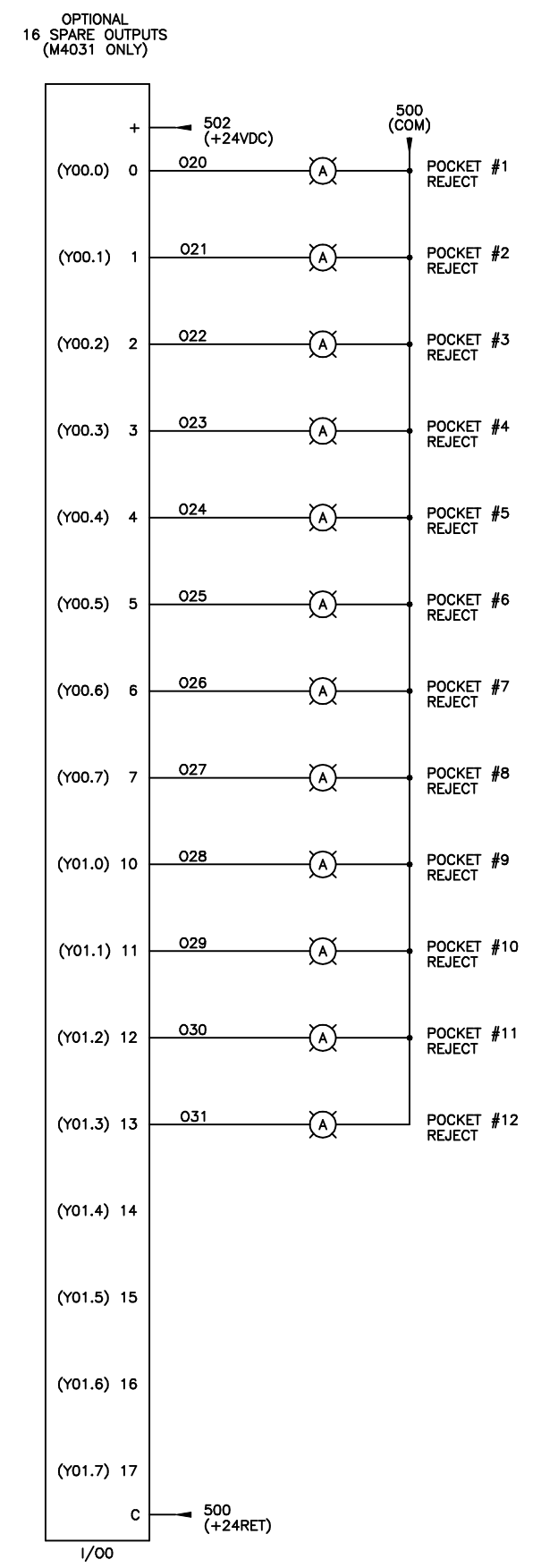
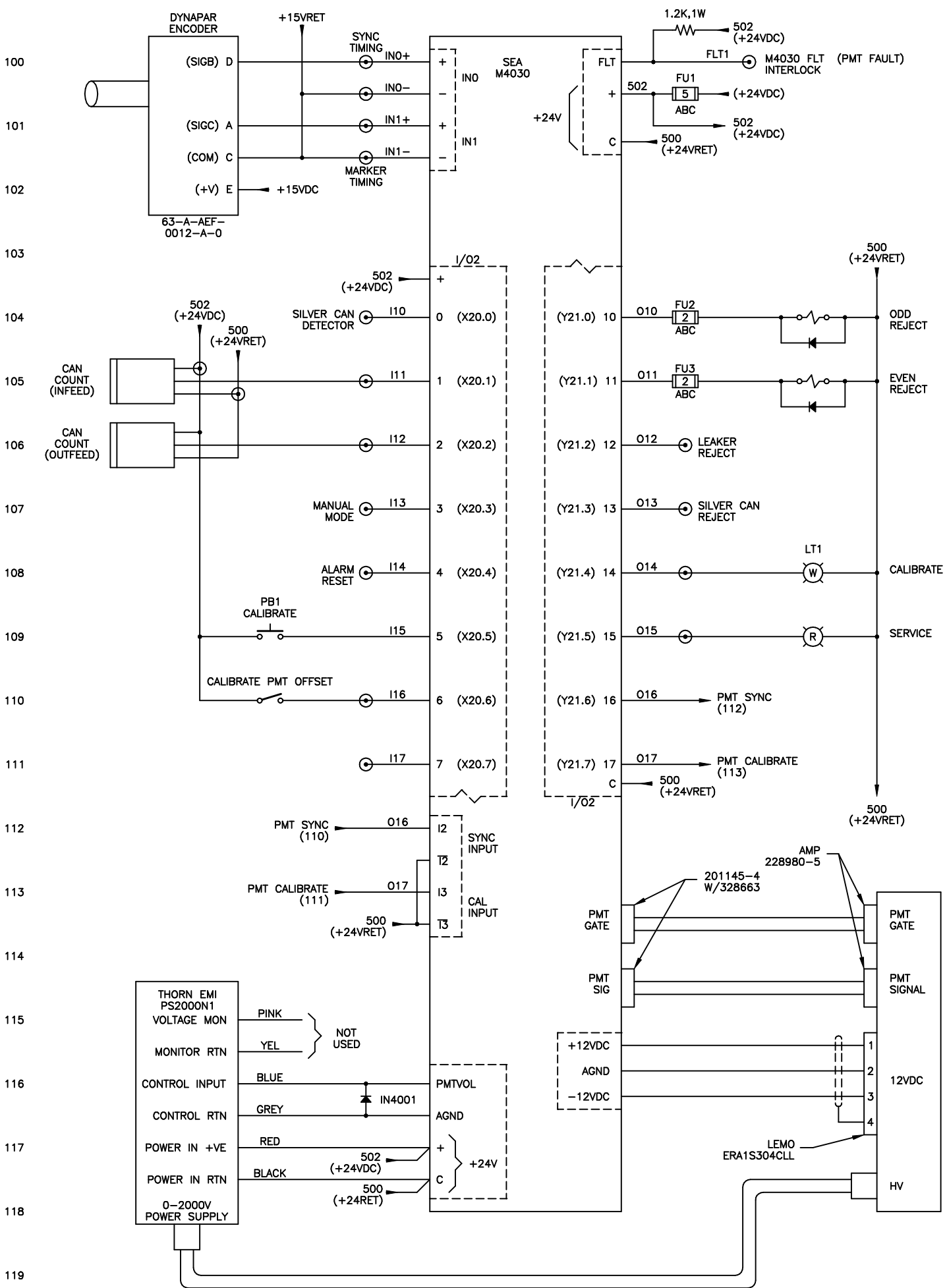


FIGURE 1
(RT-6 MACHINES)

CONFIDENTIAL This document is the property of Systems Engineering Associates, Inc. The information contained herein is confidential and is not to be reproduced, copied or disclosed to others. Drawing to be returned upon request.	SYSTEMS ENGINEERING ASSOCIATES, INC. ARVADA, COLORADO		
	SCALE:	APPROVED:	DRAWN BY: MJC
	DATE: 8-31-92		REVISED: 1-23-95
	REYNOLDS LIGHT TESTER HIGH SPEED LOGIC ELECTRICAL CONTROL SCHEMATIC		
SYSTEMS ELECTRONICS GROUP			DRAWING NUMBER 14-3705-10



CONFIDENTIAL
 This document is the property of Systems Engineering Assoc. Inc. The information contained herein is confidential and not to be reproduced, copied or disclosed to others. Drawing to be returned upon request.

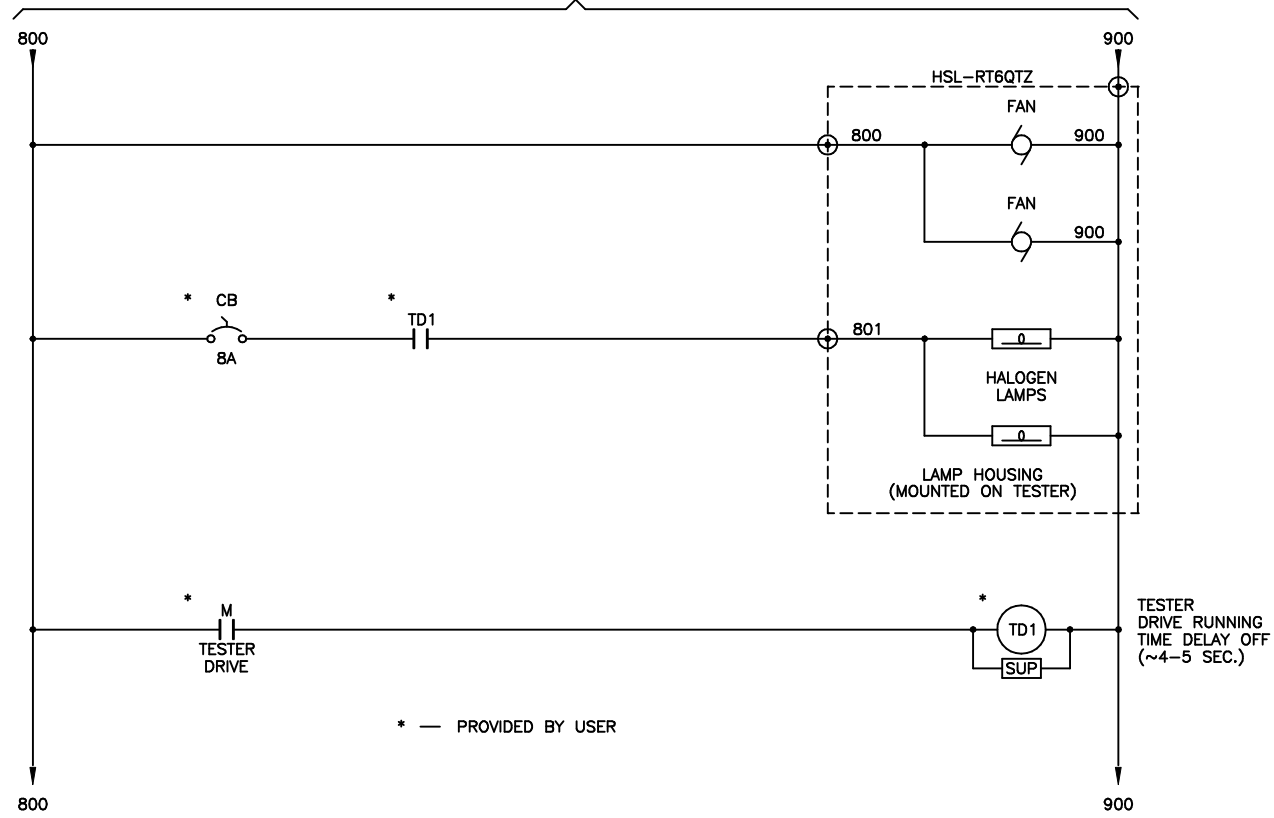
SYSTEMS ENGINEERING ASSOCIATES, INC.
 ARVADA, COLORADO

SCALE:	APPROVED:	DRAWN BY: MJC
DATE: 4-14-94		REVISED: 5-25-95

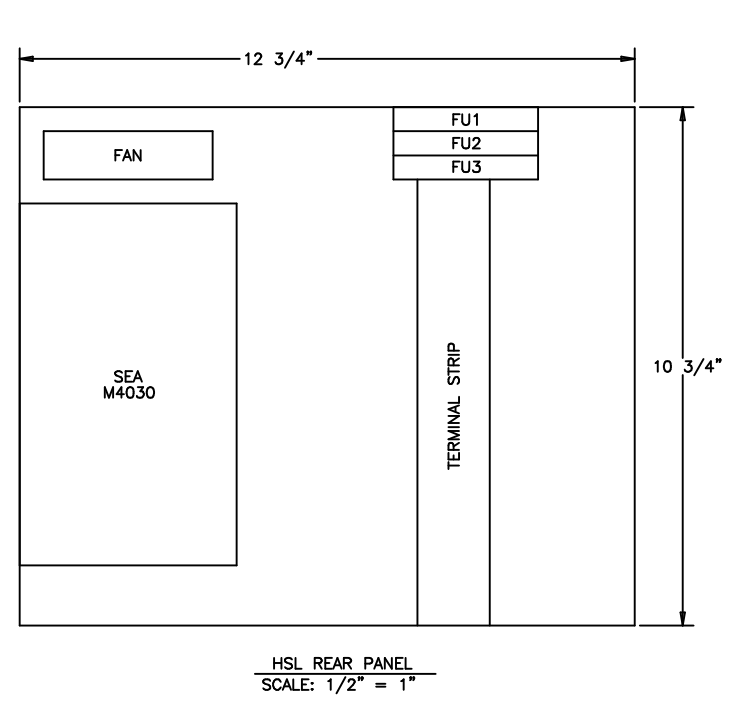
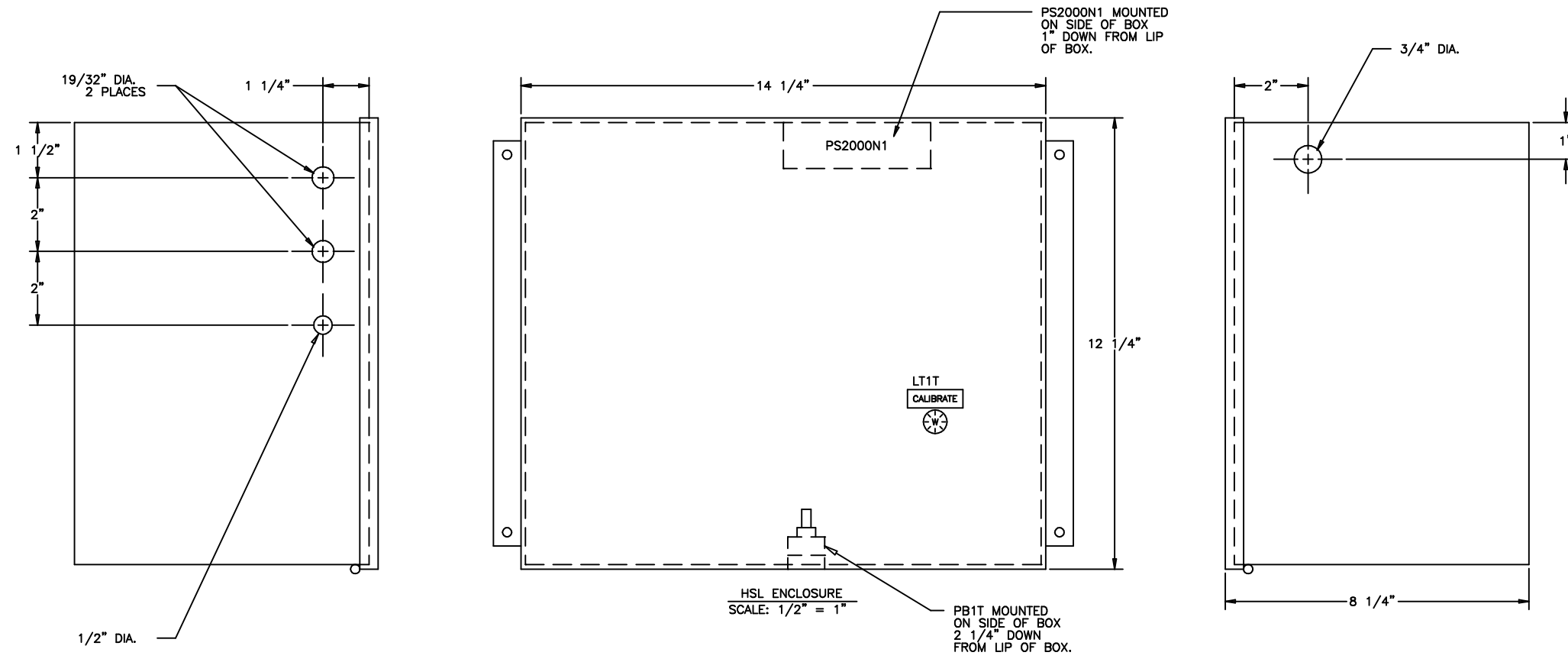
REYNOLDS LIGHT TESTER HIGH SPEED LOGIC
ELECTRICAL CONTROL SCHEMATIC

SYSTEMS ELECTRONICS GROUP
 DRAWING NUMBER 14-3707-10

HSL-RT6QTZ CONNECTION DIAGRAM
120VAC, 60Hz



CONFIDENTIAL This document is the property of Systems Engineering Assoc., Inc. The information contained herein is confidential and is not to be reproduced, copied or disclosed to others. Drawing to be returned upon request.	SYSTEMS ENGINEERING ASSOCIATES, INC. ARVADA, COLORADO	
	SCALE:	APPROVED:
	DATE: 4-14-94	DRAWN BY: MJC REVISED: 5-25-95
	REYNOLDS LIGHT TESTER HIGH SPEED LOGIC ELECTRICAL CONTROL SCHEMATIC	
SYSTEMS ELECTRONICS GROUP		DRAWING NUMBER 14-3707-10



TERMINAL LIST

500
500
502
502
INO+
INO-
IN1+
IN1-
I10
I11
500
502
I12
I13
I14
I16
I17
502
FLT1
O12
O13
O14
O15
GND

HSL REAR PANEL
SCALE: 1/2" = 1"

CONFIDENTIAL
This document is the property of Systems Engineering Associates, Inc. The information contained herein is confidential and not to be disclosed to others. Drawing to be returned upon request.

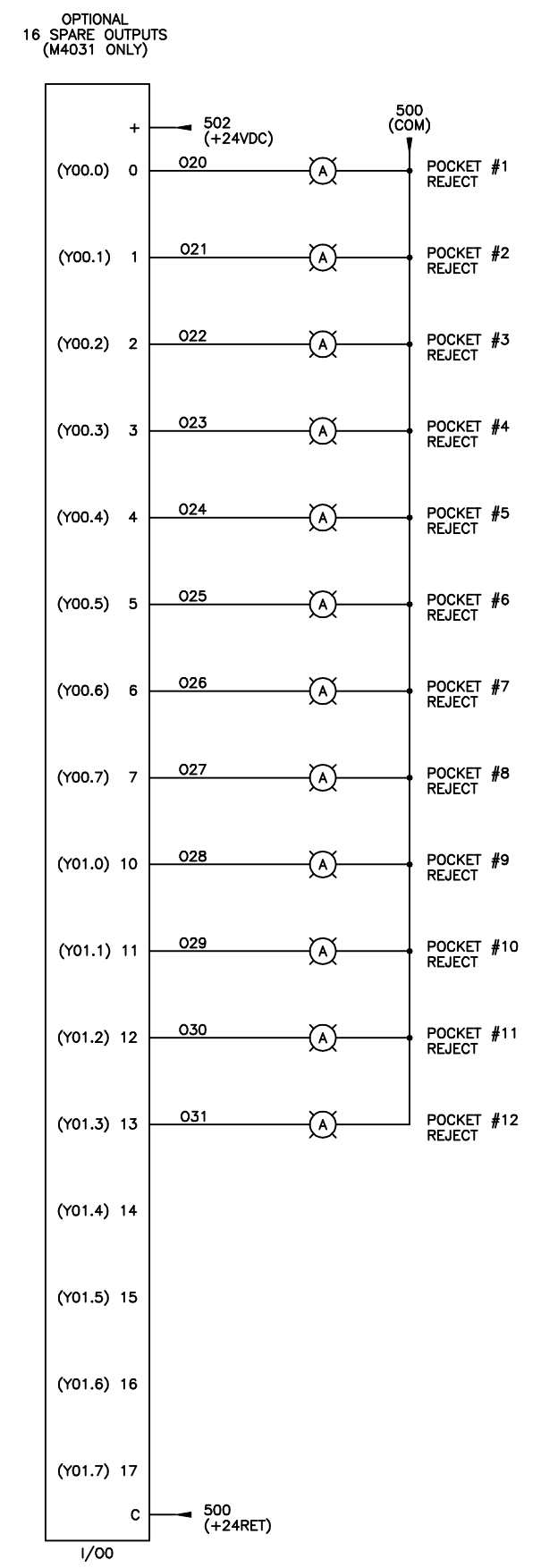
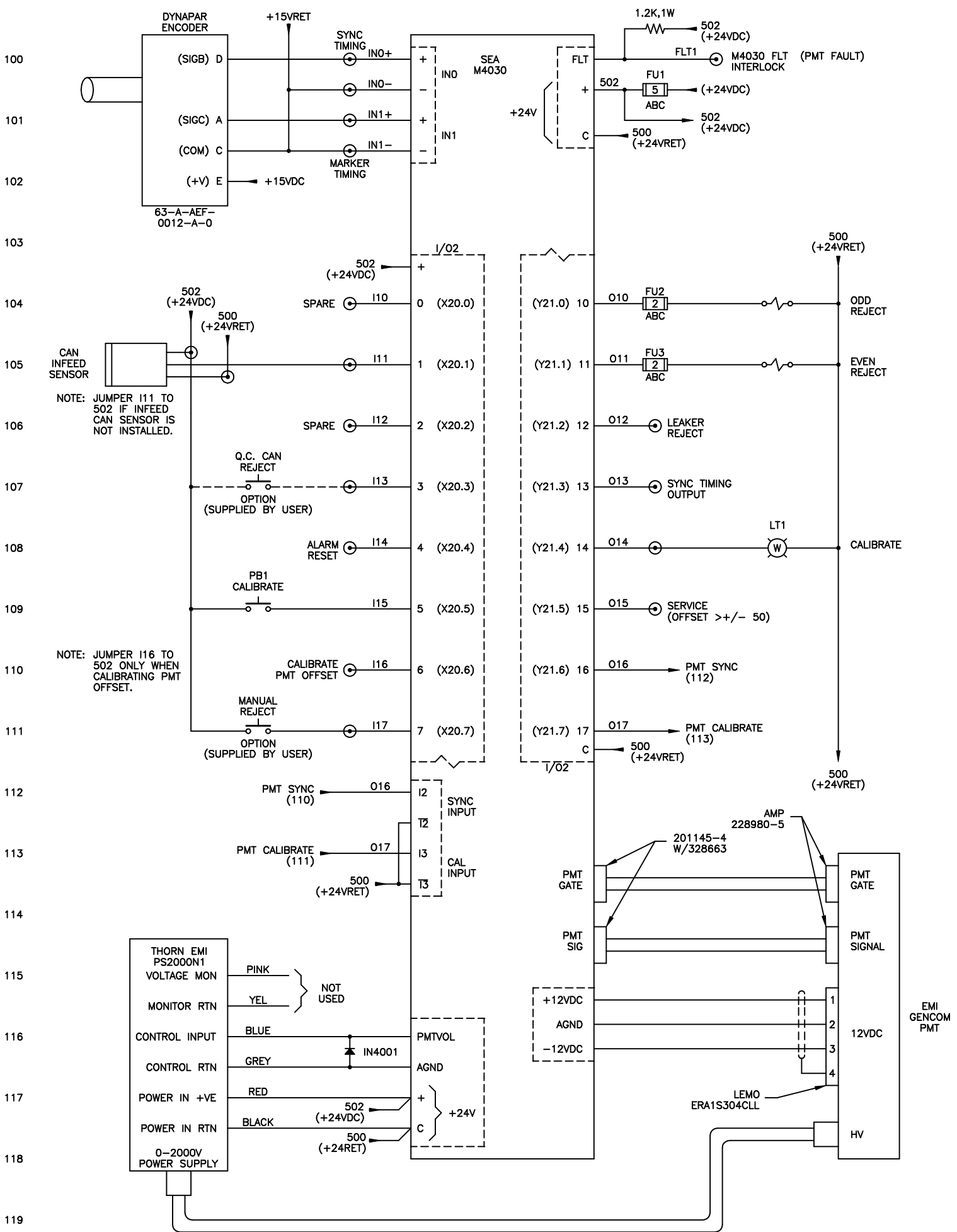
SYSTEMS ENGINEERING ASSOCIATES, INC.
ARVADA, COLORADO

SCALE: AS NOTED	APPROVED BY:	DRAWN BY: MJC
DATE: 9-6-94		REVISED:

REYNOLDS LIGHT TESTER
MECHANICAL LAYOUT

SYSTEMS ELECTRONICS GROUP

DRAWING NUMBER
14-3707-15



CONFIDENTIAL
 This document is the property of Systems Engineering Assoc. Inc. The information contained herein is confidential and not to be reproduced, copied or disclosed to others. Drawing to be returned upon request.

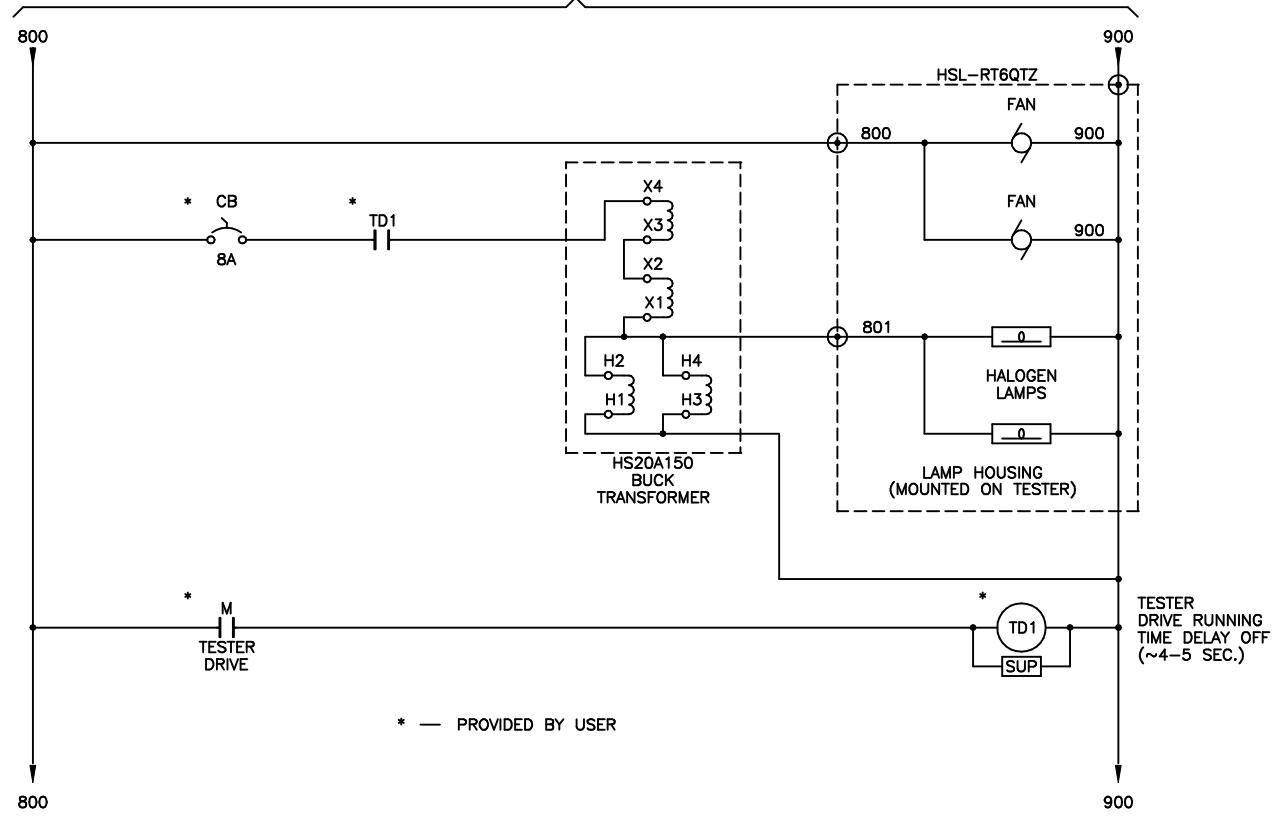
SYSTEMS ENGINEERING ASSOCIATES, INC.
 ARVADA, COLORADO

SCALE:	APPROVED:	DRAWN BY: MJC
DATE: 10-5-95		REVISED:

REYNOLDS LIGHT TESTER HIGH SPEED LOGIC ELECTRICAL CONTROL SCHEMATIC

SYSTEMS ELECTRONICS GROUP	DRAWING NUMBER 14-3709-10
---------------------------	---------------------------

HSL-RT6QTZ CONNECTION DIAGRAM
120VAC, 60Hz



CONFIDENTIAL This document is the property of Systems Engineering Assoc., Inc. The information contained herein is confidential and is not to be reproduced, copied or disclosed to others. Drawing to be returned upon request.	SYSTEMS ENGINEERING ASSOCIATES, INC. ARVADA, COLORADO		
	SCALE:	APPROVED:	DRAWN BY: MJC
	DATE: 10-5-95		REVISED: 9-5-03
	REYNOLDS LIGHT TESTER HIGH SPEED LOGIC ELECTRICAL CONTROL SCHEMATIC		
SYSTEMS ELECTRONICS GROUP			DRAWING NUMBER 14-3709-10