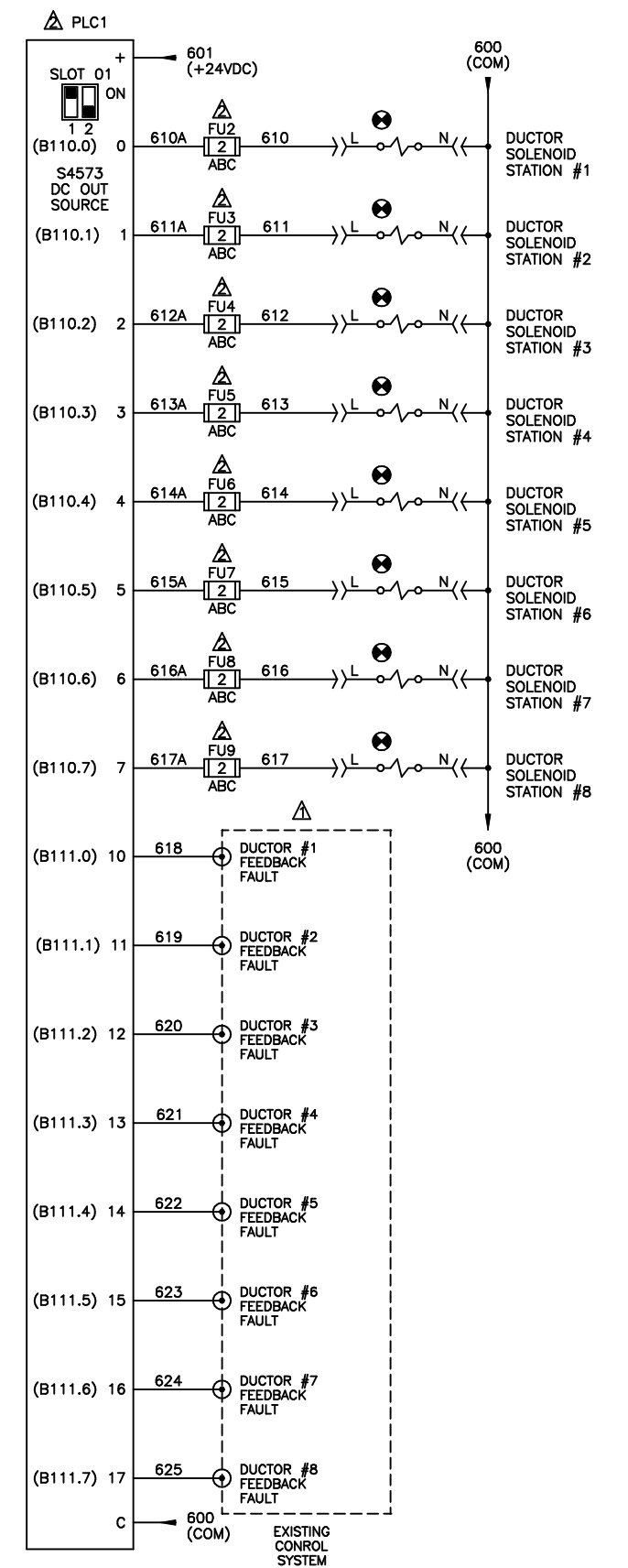
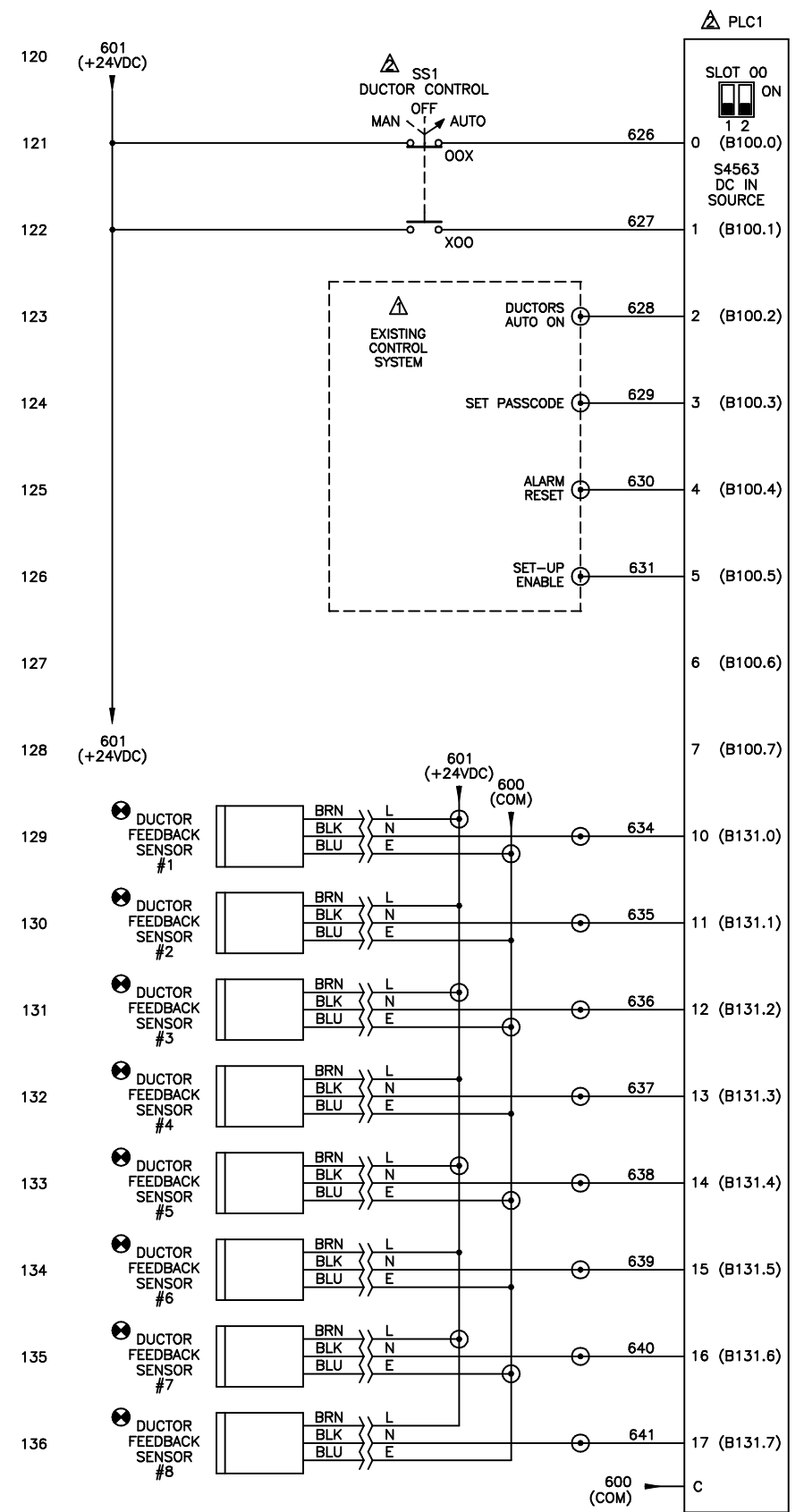
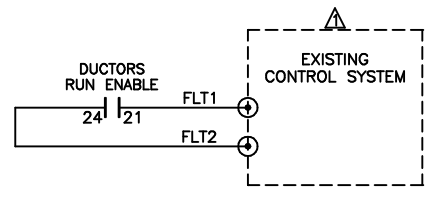


NOTE: USE 5 AMP +24VDC REGULATED POWER SUPPLY WITH DUCTOR FEEDBACK OPTION. A 4 AMP +24VDC UNREGULATED POWER SUPPLY MAY BE USED WITHOUT DUCTOR FEEDBACK OPTION.

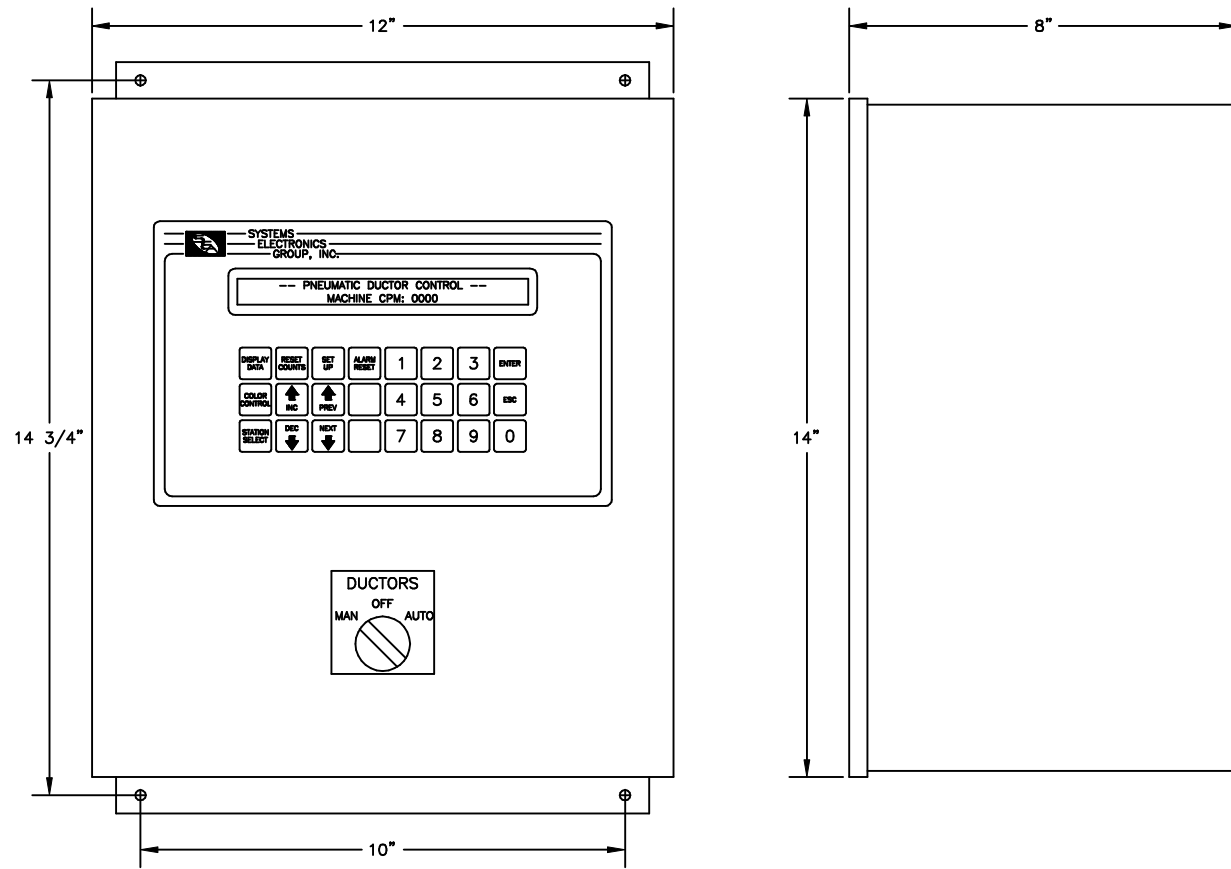


- EQUIPMENT LOCATION LEGEND
- ▲ DECORATOR CONTROL CABINET
  - ▲ DUCTORS CONTROL RETRO-FIT KIT
  - MACHINE MOUNTED COMPONENTS

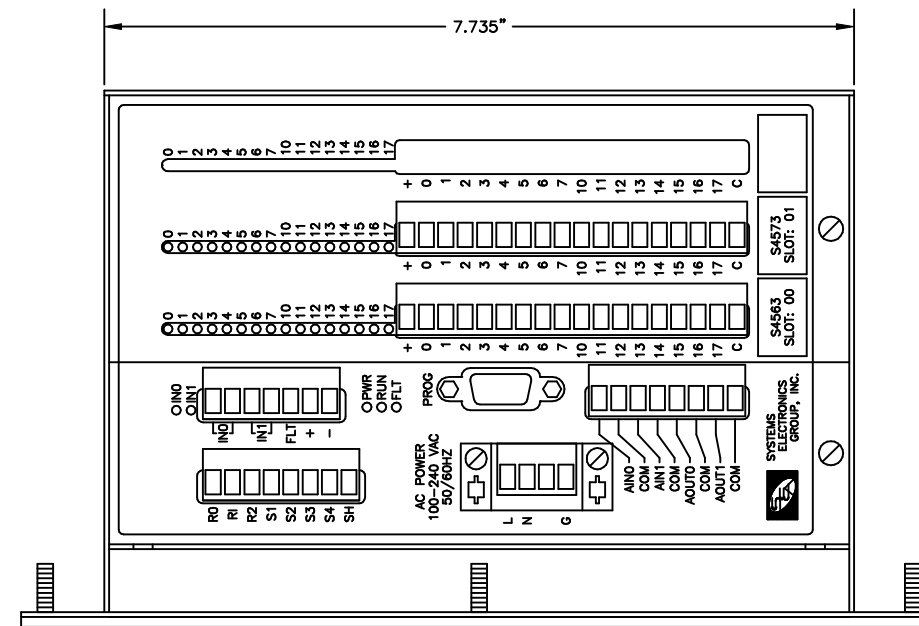
CONFIDENTIAL  
This document is the property of Systems Engineering Associates, Inc. The information contained herein is confidential and is to be reproduced, copied or disclosed to others. Drawing to be returned upon request.

SYSTEMS ENGINEERING ASSOCIATES, INC.  
ARVADA, COLORADO

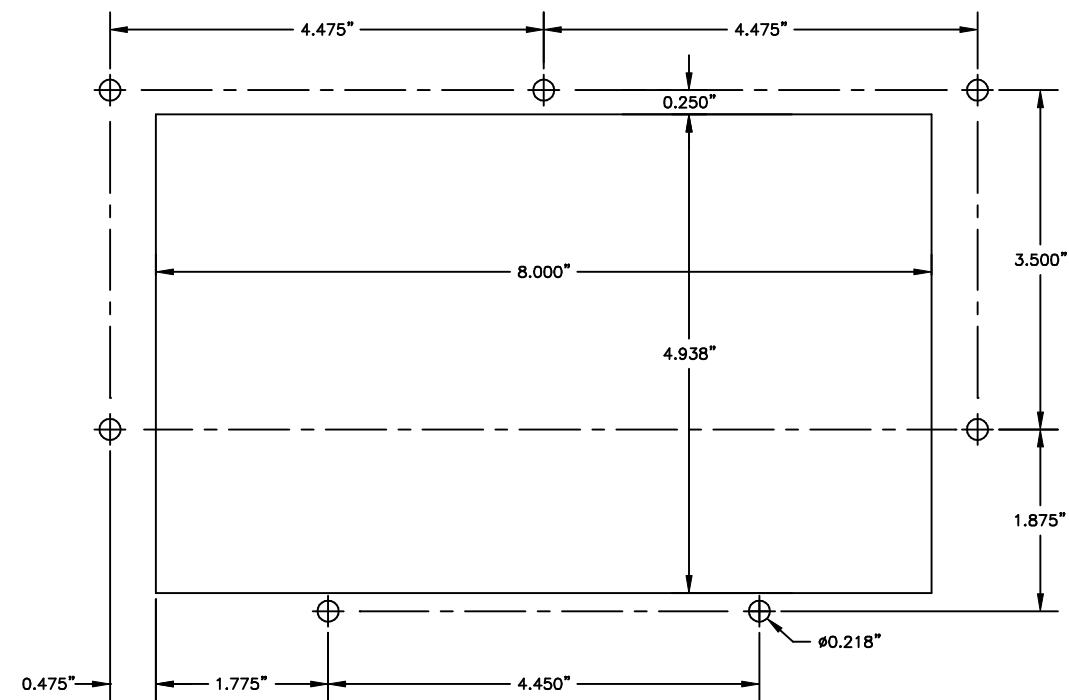
SCALE:	APPROVED:	DRAWN BY: KDV
DATE: 11-6-90		REVISED: 8-26-04
DUCTOR CONTROL RETROFIT ELECTRICAL CONTROL SCHEMATIC		WO#
SYSTEMS ENGINEERING ASSOCIATES, INC.		PT#
		DRAWING NUMBER 14-4515-10



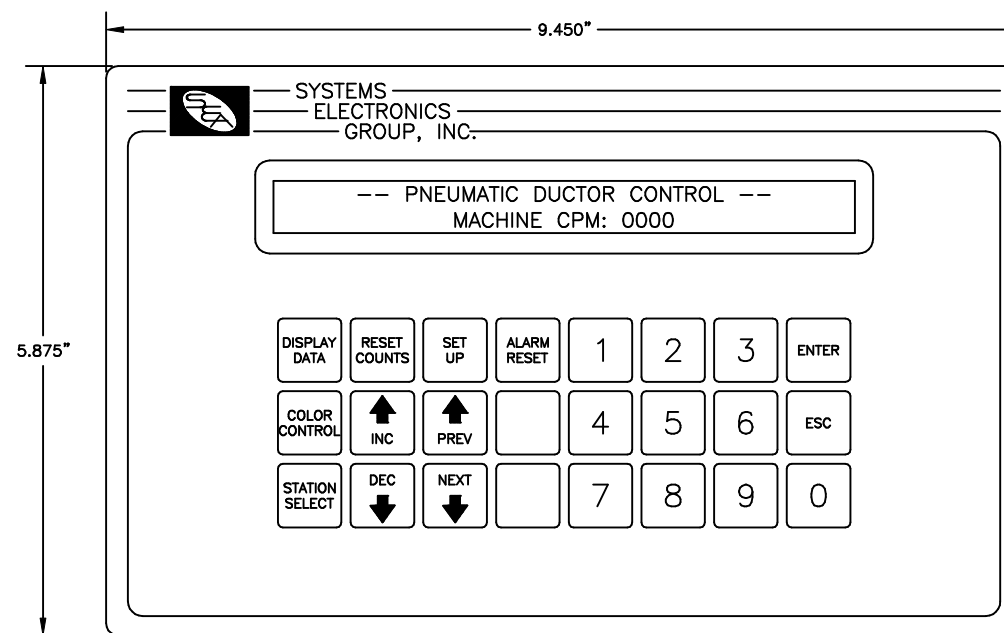
HSM-DUCTOR (WITH NEMA 12 ENCLOSURE)



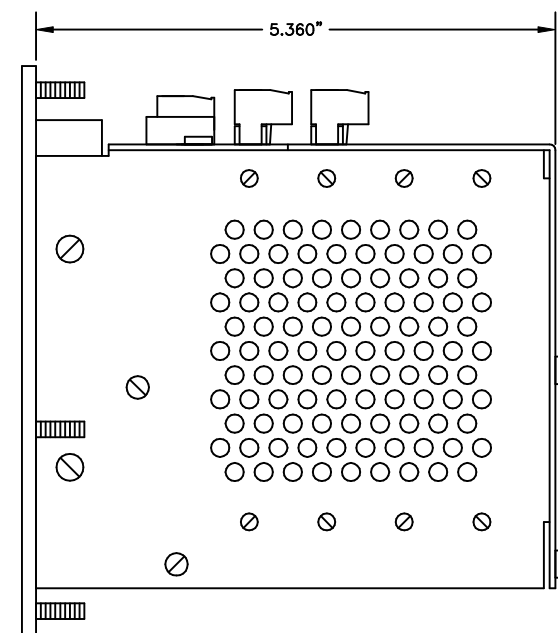
FIELD WIRING CONNECTOR PINOUTS



RECOMMENDED PANEL CUT-OUT



HSM-DUCTOR KEYPAD DISPLAY



CONFIDENTIAL This document is the property of Systems Engineering Associates, Inc. The information contained herein is confidential and is not to be reproduced, copied or disclosed to others. Drawing to be returned upon request.	SYSTEMS ENGINEERING ASSOCIATES, INC. ARVADA, COLORADO		DRAWN BY: KDV
	SCALE: AS NOTED	APPROVED:	REVISED: 1-22-13
	DATE: 11-6-98	DUCTOR CONTROL RETROFIT MECHANICAL LAYOUT	
	SYSTEMS ENGINEERING ASSOCIATES, INC.		WO# PT# DRAWING NUMBER 14-4515-15