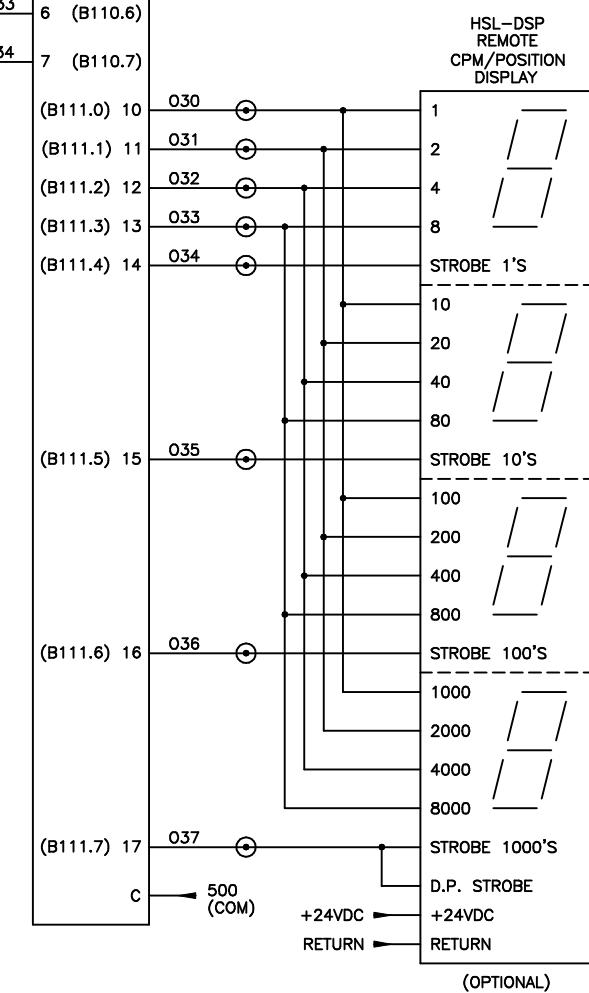
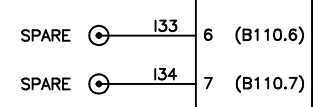
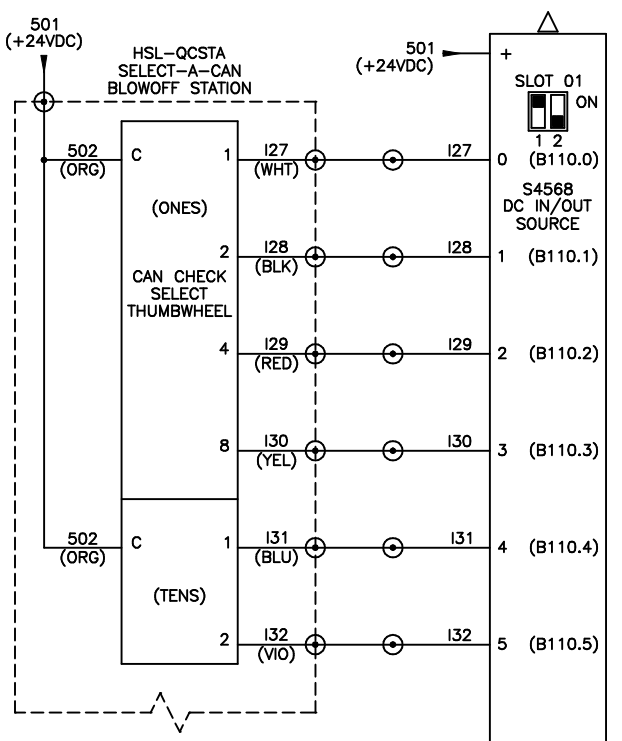
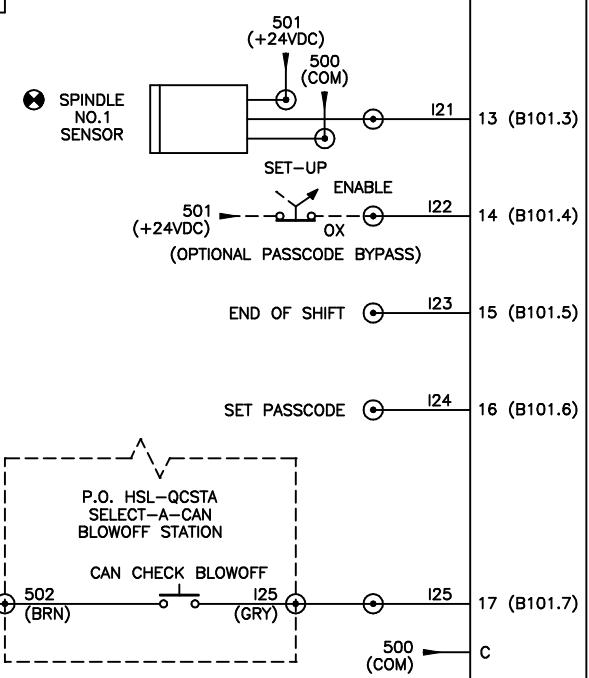
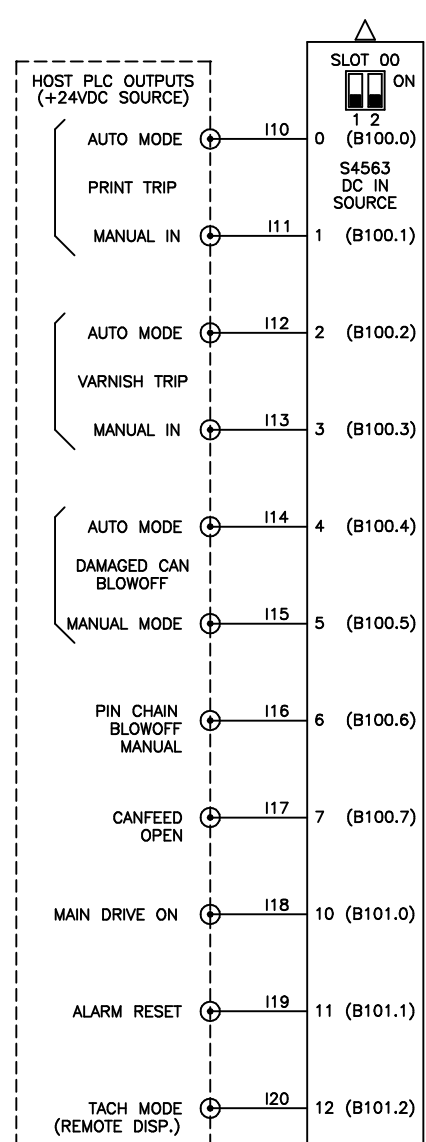
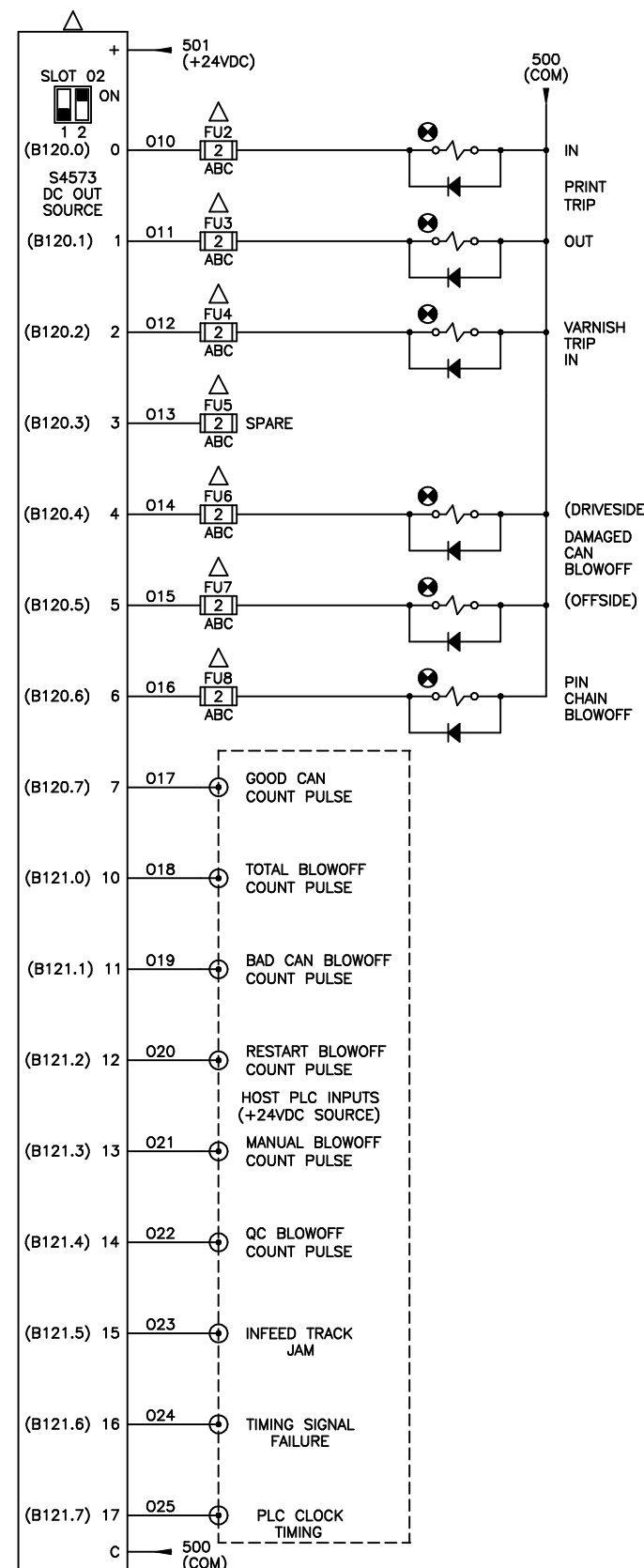


NOTE 1:
 (1) FOR SEG RSV34-MS1 RESOLVER, JUMPER R0 TO R1 ON RESOLVER INPUT.
 (2) FOR AUTOTECH RESOLVERS, INSTALL 47ohm, 1/2W RESISTOR BETWEEN R0 AND R1 ON RESOLVER INPUT.



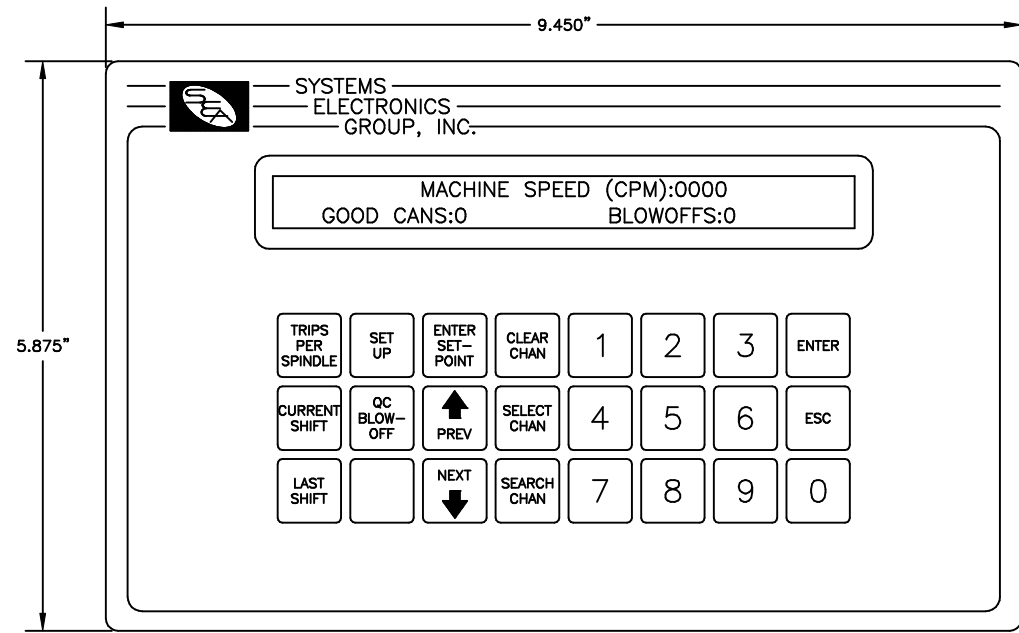
NOTES:
 1) "1" TRUE LOGIC LEVEL
 2) "1" TRUE STROBE LEVEL
 3) INDIVIDUAL DIGIT STROBES



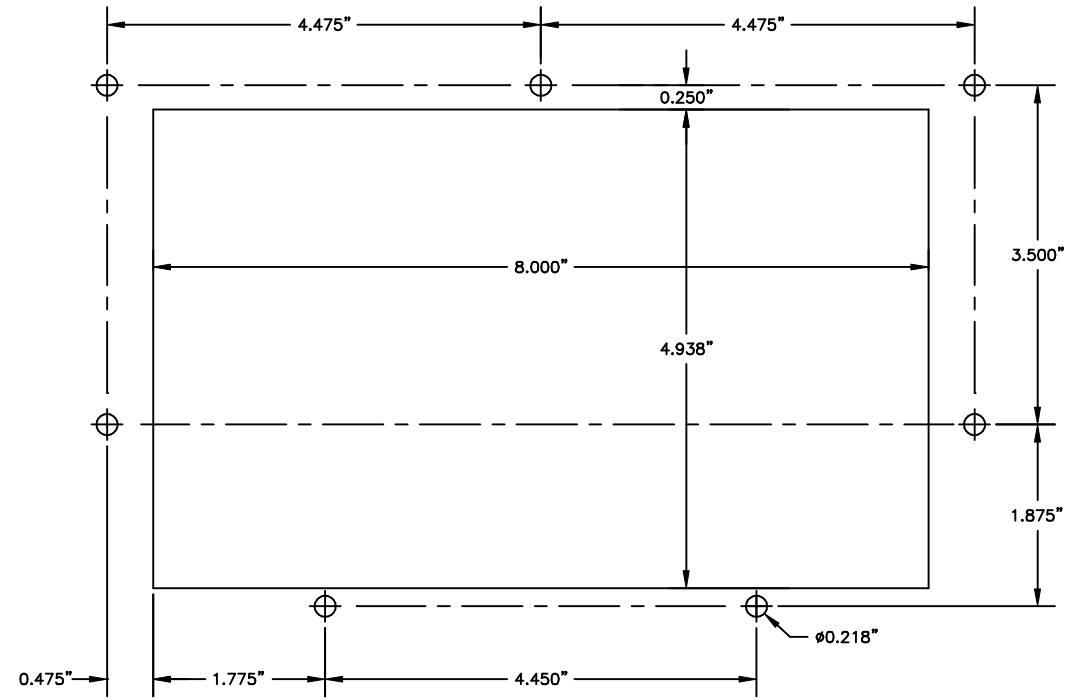
CONFIDENTIAL
 This document is the property of Systems Engineering Associates, Inc. The information contained herein is confidential and is not to be reproduced, copied or disclosed to others. Drawing to be returned upon request.

SYSTEMS ENGINEERING ASSOCIATES, INC.
 ARVADA, COLORADO

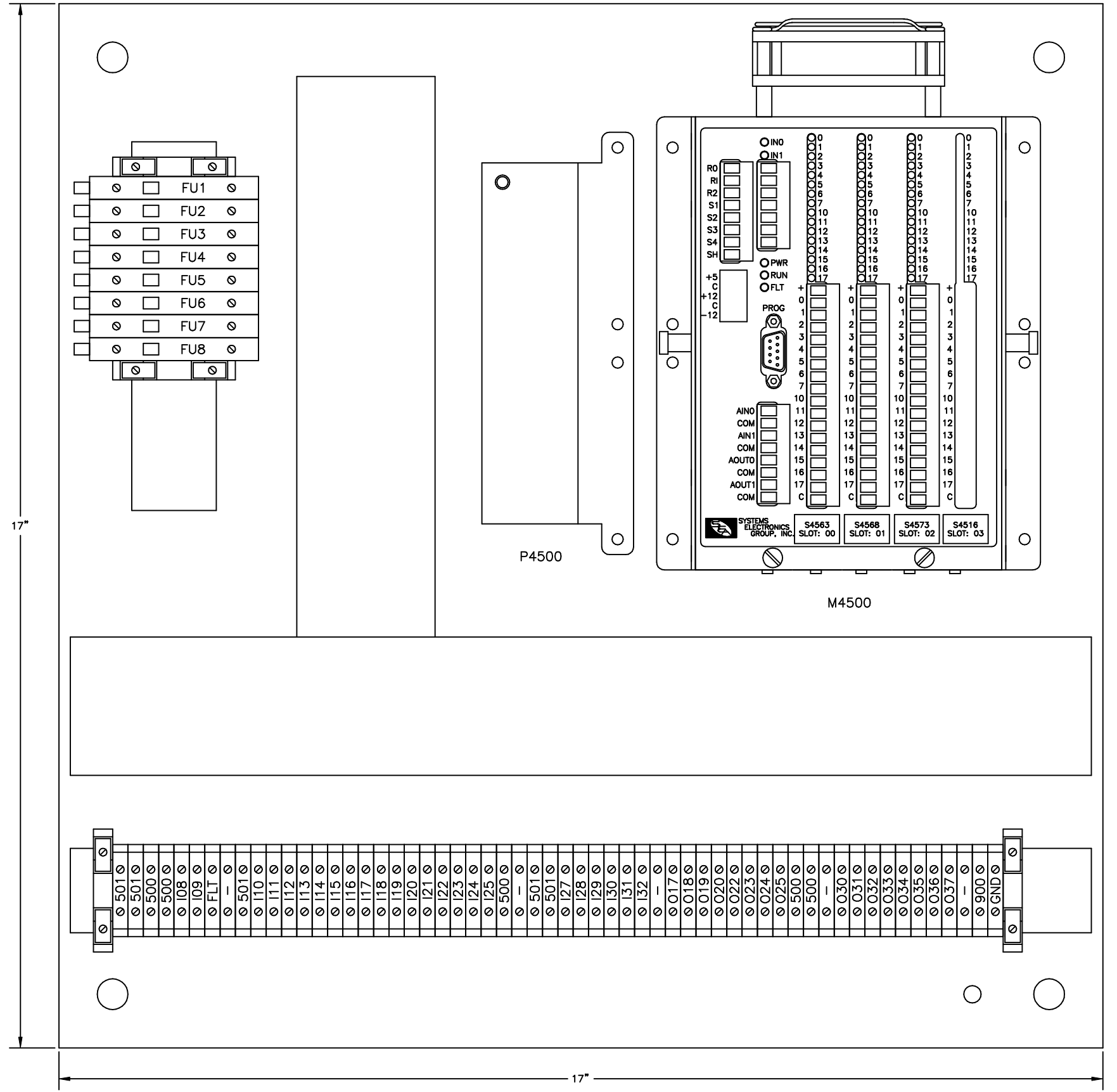
SCALE:	APPROVED:	DRAWN BY: KDV
DATE: 10-17-00		REVISED: 3-25-04
HSL-CCSD1		WO#
ELECTRICAL CONTROL SCHEMATIC		PT#
SYSTEMS ELECTRONICS GROUP		DRAWING NUMBER 14-4520-10



HSL-CCSD1 KEYPAD DISPLAY



RECOMMENDED PANEL CUT-OUT



HSL-CCSD1 PREWIRED BACK PANEL

CONFIDENTIAL This document is the property of Systems Engineering Assoc., Inc. The information contained herein is confidential and is not to be reproduced, copied or disclosed to others. Drawing to be returned upon request.	SYSTEMS ENGINEERING ASSOCIATES, INC. ARVADA, COLORADO		DRAWN BY: KDV
	SCALE: AS NOTED	APPROVED:	REVISED: 3-25-04
	DATE: 3-25-04	HSL-CCSD1 MECHANICAL LAYOUT	
	SYSTEMS ELECTRONICS GROUP		WO# PT# DRAWING NUMBER 14-4520-15