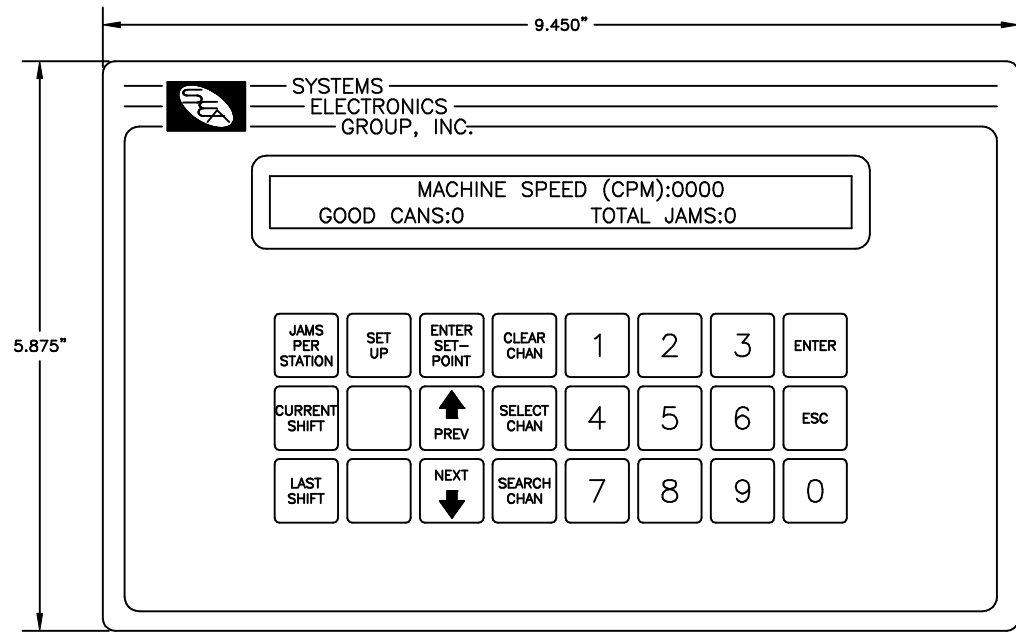
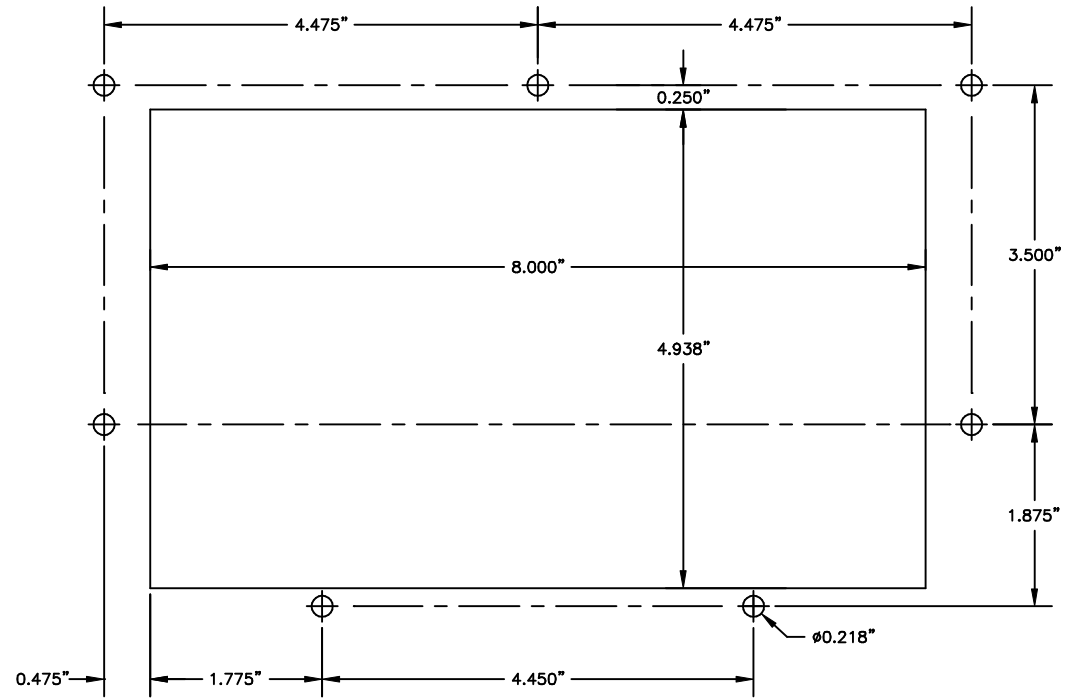


SYSTEMS ENGINEERING ASSOCIATES, INC.
ARVADA, COLORADO

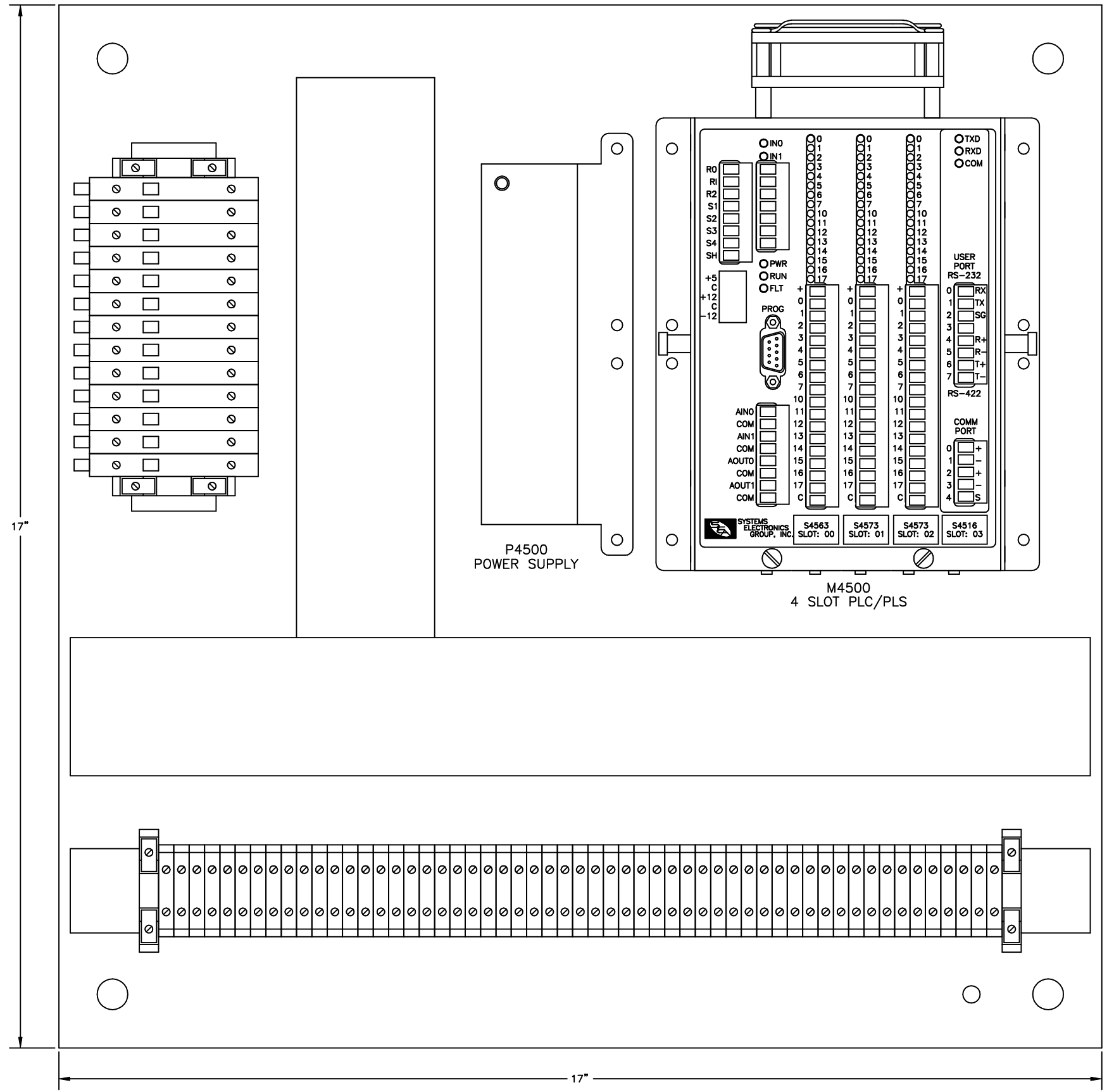
<p><small>CONFIDENTIAL</small> This document is the property of Systems Engineering Assoc., Inc. The information contained herein is confidential and not to be reproduced, copied or disclosed to others. Drawing to be returned upon request.</p>	<p>SCALE: _____ APPROVED: _____ DATE: 10-23-03</p>	<p>DRAWN BY: KDV REVISED: 12-2-03</p>
<p>REXAM NECKER/FLANGER ELECTRICAL CONTROL SCHEMATIC</p>		<p>WO# _____ PT# HSL-ANCF</p>
<p>SYSTEMS ELECTRONICS GROUP</p>		<p>DRAWING NUMBER 14-4802-10</p>



HSL-ANCF KEYPAD DISPLAY



RECOMMENDED PANEL CUT-OUT



HSL-ANCF PREWIRED BACK PANEL

CONFIDENTIAL This document is the property of Systems Engineering Assoc., Inc. The information contained herein is to be reproduced, copied or disclosed to others. Drawing to be returned upon request.	SYSTEMS ENGINEERING ASSOCIATES, INC. ARVADA, COLORADO		DRAWN BY: KDV
	SCALE: AS NOTED	APPROVED:	REVISED: 10-27-03
	DATE: 10-24-03	REXAM NECKER/FLANGER MECHANICAL LAYOUT	
	SYSTEMS ELECTRONICS GROUP		WO# PT# HSL-ANCF DRAWING NUMBER 14-4802-15